

73-0040-250

4/07



***Lionel  
North Pole Freight  
Expansion Pack  
Owner's Manual***

**Caution!** The lubricant and oil contain petroleum distillates. May be harmful or fatal if swallowed. If swallowed, do not induce vomiting. Call physician immediately. In case oil, lubricant, or track cleaning liquid comes into contact with eyes, flush with water until the irritation subsides. Call a physician, if needed.

**C**ongratulations on your purchase of the North Pole Freight Expansion Pack! This assortment features three additional cars and four additional track sections.

## **Inventory of parts**

---

- **Four straight FasTrack track sections**
- **Flatcar with handcar**
- **Searchlight car**
- **Reefer**

## **Table of contents**

---

Removing the handcar from the flatcar	3
Operating your handcar with a Lionel transformer	4
Maintaining your handcar	5
Replacing the traction tire on the handcar	5
Operating the searchlight car	6
Replacing the searchlight car lamp	6
Lubricating and maintain your railroad	7
Limited Warranty/Lionel Service	8

The following Lionel marks may be used throughout this instruction manual and are protected under law. All rights reserved.

*Lionel<sup>®</sup>, TrainMaster<sup>®</sup>, Odyssey<sup>®</sup>, RailSounds<sup>®</sup>, CrewTalk<sup>™</sup>, TowerCom<sup>™</sup>, DynaChuff<sup>™</sup>, StationSounds<sup>™</sup>, Pullmor<sup>®</sup>, ElectroCoupler<sup>™</sup>, Magne-Traction<sup>®</sup>, CAB-1<sup>®</sup> Remote Controller, PowerMaster<sup>®</sup>, Lionel ZW<sup>®</sup>, ZW<sup>®</sup>, PowerHouse<sup>®</sup>, TMCC<sup>®</sup>, Lionelville<sup>™</sup>, Lockon<sup>®</sup>, Wireless Tether<sup>™</sup>, LionMaster<sup>®</sup>, FatBoy<sup>™</sup>, American Flyer<sup>®</sup>, TrainSounds<sup>™</sup>*

*The name FasTrack<sup>®</sup> is used with permission from Pitsco, Inc.*

## Removing the handcar from the flatcar

---

**Y**our handcar is secured to the flatcar by two elastic tie-downs, illustrated in Figure 1. To free the handcar, pull the strap clips away from the bottom of the car, and then pass the strap clips through the hole in the frame. With the elastic tie-downs removed, the handcar is free from the flatcar.

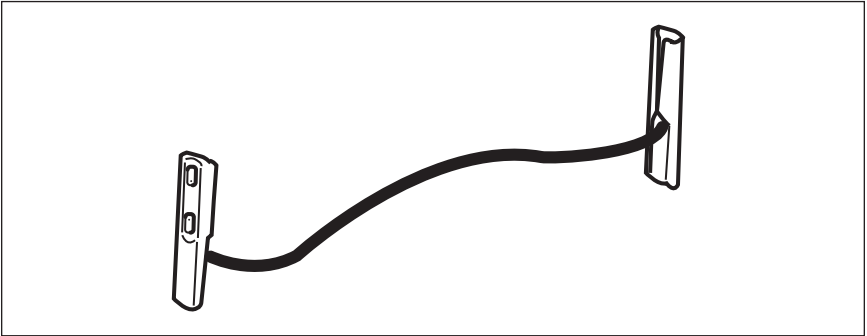


Figure 1. Elastic tie-downs

## Operating your handcar with a Lionel transformer

---

**T**he handcar is designed to operate on 0 gauge, 0-27 gauge, and FasTrack layouts at 10 to 14 volts (AC or DC power).

**Note!** We recommend that you operate the handcar on a separate loop or siding because the handcar operates in only one direction.

1. With track power off to avoid short circuits, place your handcar on Lionel or Lionel-compatible track.
2. Power up your handcar.
3. Move 'em out!
  - Increase track voltage until the handcar moves at your desired speed.
  - The handcar operates in only one direction.
  - Watch as the figures pump the handles up and down!

## Maintaining your handcar

---

**B**e sure to keep your handcar wheels clean, dry, and free of oil and grease. Clean rust and dirt spots with fine sandpaper and wipe the wheels and track clean with a soft cloth dampened with Track Cleaner from the Lionel Lubrication and Maintenance Kit (6-62927) included.

After 10 to 12 hours of operation, the axles will require a drop of Lionel oil or other light machine oil. Simply add a drop of oil to the axles at the points between the frame and the wheels. These locations are shown in Figure 2. Do not lubricate excessively.

If you operate the handcar for long periods of time, we recommend that you regularly stop the unit and allow it to cool down.

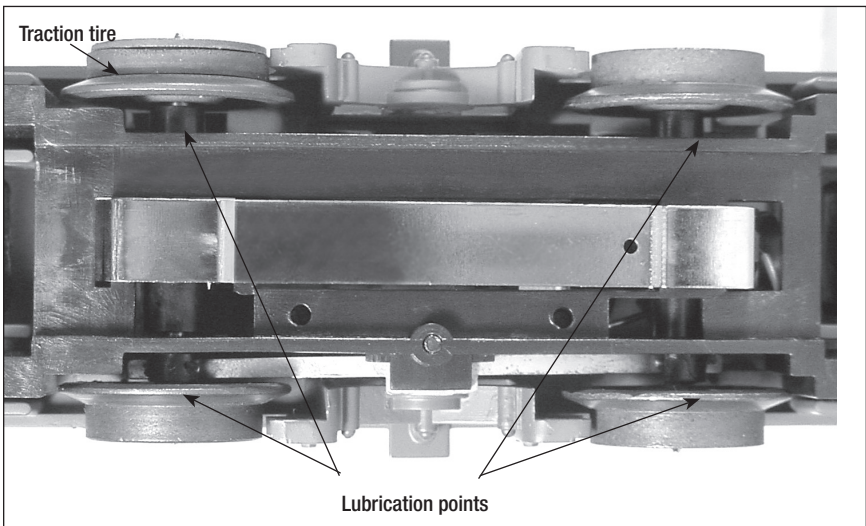


Figure 2. Lubrication points

## Replacing the traction tire on the handcar

---

**Y**our Handcar is equipped with one rubber traction tire to help the unit grip the track. Refer to Figure 2 for the location of the traction tire. If you find that the traction tire on your handcar becomes worn, you may replace it with Lionel part no. 600-0065-043, available at your authorized Lionel dealer.

To replace the traction tire, simply pull off the old tire and loop a new tire around the wheel. Be sure to position the replacement inside the groove.

## Operating the searchlight car

The searchlight is on whenever the car is powered up on the track. To prolong the life of the lamp, we recommend that you keep the track voltage at a lower range, from seven to fifteen volts. Rotate the metal bracket and the searchlight housing (refer to Figure 3) to aim the searchlight.

## Replacing the searchlight car lamp

During the course of normal operations, you may find that the lamp requires replacement. Replacement lamps, Lionel part no. 630-8352-311, are available at your authorized Lionel Service Center or from Lionel Service.

1. Gently pull the two arms of the metal bracket away from the searchlight housing to lift the housing away. Refer to Figure 3.
2. Pull the expired lamp straight up and out of the socket.
3. Install the new lamp and replace the searchlight housing.

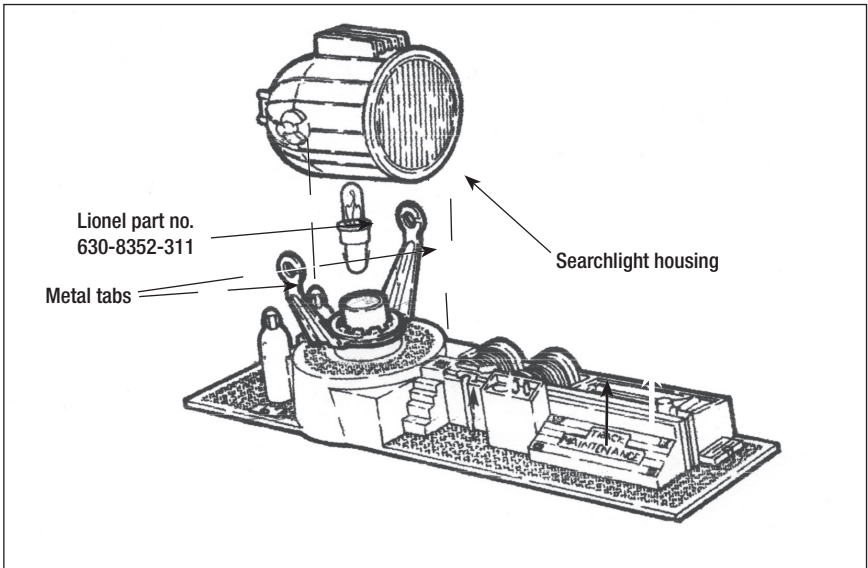


Figure 3. Lamp replacement

## **Lubricating and maintaining your railroad**

---

**Y**our Lubrication and Maintenance Kit includes several products that will help you to care for your railroad. This kit will help to prolong the life of your locomotives, improve the operation of your trains, and keep your track clean for good electrical contact.

**Note!** Be sure to follow each product's instructions for maintenance.

**Caution!** The lubricant and oil contain petroleum distillates. May be harmful or fatal if swallowed. If swallowed, do not induce vomiting. Call physician immediately. In case oil, lubricant, or track cleaning liquid comes into contact with eyes, flush with water until the irritation subsides. Call a physician, if needed.

### ***Multi-purpose lubricant***

Use this grease to lubricate the gears, ends of wheel axles, truck pivots and guides, and moving components on operating accessories.

### ***Oiler***

Apply a few drops of oil to the bronze axle bushings on your trains and your locomotive's running gear to reduce squeaking and wear. Also, use the oiler to lubricate accessories that require a lighter lubricant.

### ***Track clean***

Enhance the performance of your trains by removing the dirt that builds up on the rails. Wipe the track regularly with a soft cloth dampened with track clean, then wipe the rails dry.

### ***Track cleaning eraser***

Rub the eraser on the rails to remove the rust and corrosion from your track to restore good electrical contact. For stubborn rust build-up, use fine sandpaper or an emery cloth (not included).

## Limited Warranty/Lionel Service

---

**T**his Lionel product, including all mechanical and electrical components, moving parts, motors and structural components, except for light bulbs, is warranted to the original consumer-purchaser, for **one year** against original defects in materials or workmanship when purchased through an authorized Lionel merchant.

This warranty does NOT cover normal wear and tear, light bulbs, defects appearing in the course of commercial use, or damage resulting from abuse or misuse of the product by the purchaser. Transfer of this product by the original consumer-purchaser to another person voids this warranty. Modification of this product voids this warranty.

Any warranted product which is defective in original materials or workmanship and is delivered by the original consumer-purchaser to Lionel L.L.C. or an authorized Lionel L.L.C. Service Center, together with proof of original purchase will, at the option of Lionel L.L.C., be repaired or replaced, without charge for parts or labor. In the event the defective product cannot be repaired, and a replacement is not available, a refund of the original purchase price will be granted. Any products on which warranty service is sought must be sent freight or postage prepaid, as transportation and shipping charges are not covered by the warranty.

### **In no event shall Lionel L.L.C. be liable for incidental or consequential damages.**

Some states do not allow the exclusion or limitation of incidental or consequential damages, so the above exclusion may not apply to you.

This limited warranty gives you specific legal rights, and you may have other rights which vary from state to state.

### **Instructions for Obtaining Service**

If service for this Lionel L.L.C. product is required, bring the item, along with your dated sales receipt and completed warranty information to the nearest Authorized Lionel Service Center. Your nearest Lionel Service Center can be found by calling 1-800-4-Lionel, or by accessing our Website at [www.lionel.com](http://www.lionel.com).

If you prefer to send your product back to Lionel L.L.C. for repair in Michigan, you must first call 586-949-4100 or FAX 586-949-5429, or write to Customer Service, P.O. Box 748, New Baltimore, MI 48047-0748, stating what the item is, when it was purchased and what seems to be the problem. You will be sent a return authorization letter and label to ensure your merchandise will be properly handled upon receipt.

Once you have received your return authorization and label, make sure that the item is packed to prevent damage during shipping and handling. We suggest that you use the product's original packaging. This shipment must be prepaid and we recommend that it be insured.

Please make sure you have followed all of the above instructions carefully before returning any merchandise for service. You may choose to have your product repaired by one of our Authorized Lionel Service Centers after its warranty has expired. A reasonable service fee will be charged.

### **Warranty Information**

Please complete the information below and keep it, along with your dated sales receipt. You must present this and your dated sales receipt when requesting warranty service.

Name \_\_\_\_\_

Address \_\_\_\_\_

Place of Purchase \_\_\_\_\_

Date of Purchase \_\_\_\_\_

Product Number \_\_\_\_\_

Product Description \_\_\_\_\_

