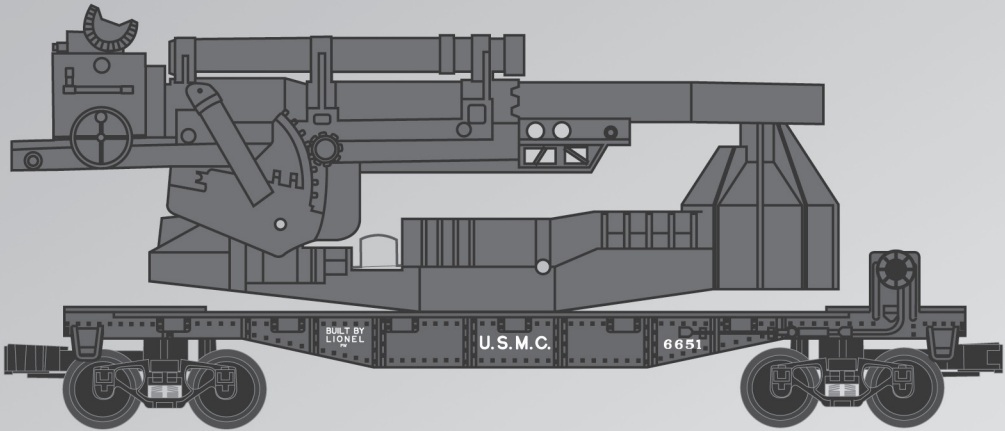


72-9853-250
2/08
Rev. 1



Lionel

#6651-25 "Big John" Cannon Car

Owner's Manual

WARNING: NEVER LEAVE YOUR GUN COCKED, EVEN IF IT IS UNLOADED. DO NOT LOOK DOWN THE BARREL TO SEE IF YOUR CANNON IS LOADED. TIP THE BARREL DOWN TO SEE IF A SHELL FALLS OUT.

Congratulations on your purchase of the Lionel #6651-25 "Big John" Cannon Car. Select your target, and fire!

Loading The cannon

Warning! This Cannon Flatcar is designed for use only with the shell provided. DO NOT USE other objects with this firing mechanism.

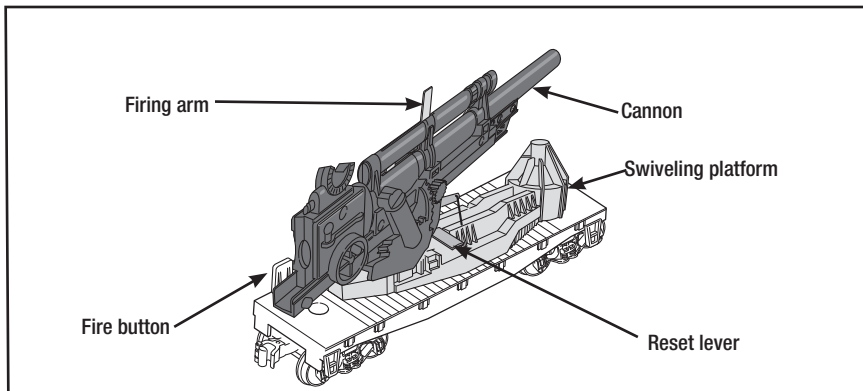


Figure 1. Cannon flatcar

Follow these steps to prepare your cannon for firing. First, load the shell into the barrel. Next, push down the reset lever as indicated in the Figure 2. This will lower the cannon so that it rests on the platform in a locked, horizontal position. The cannon is now under tension. You can control the distance that the shell can fly by how far you retract the firing arm. The farther back you set it, the farther it will fly! Feel free to experiment with various settings until you can control your distance. The maximum distance that the shell will travel is approximately four feet. Turn to page 3 to learn how to fire the cannon.

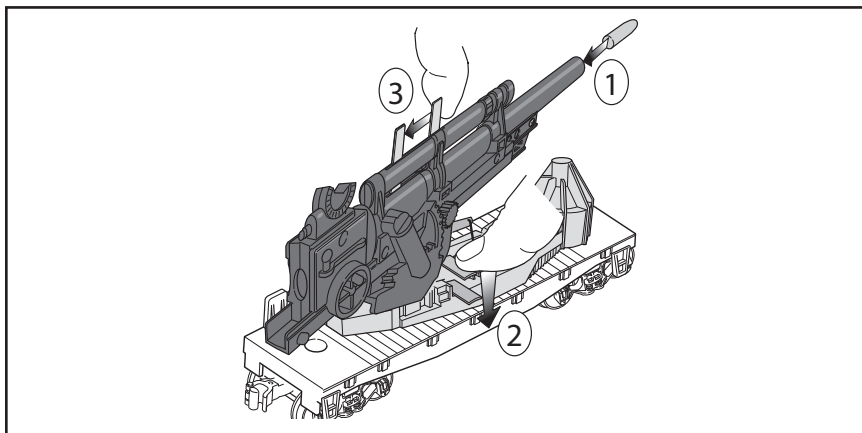


Figure 2. Preparing to fire

Firing the cannon

Once the cannon is loaded, the barrel should be in a locked horizontal position. Swivel the platform towards the desired target. (The Lionel exploding boxcar is an ideal target.) Push down the firing button (see Figure 3). The cannon will slowly rise to its desired target and fire.

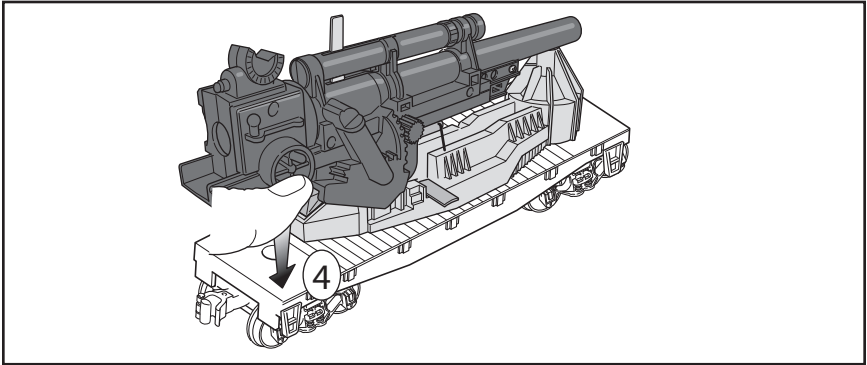


Figure 3. Firing arm

The following Lionel marks may be used throughout this instruction manual and are protected under law. All rights reserved.

Lionel®, TrainMaster®, Odyssey®, RailSounds®, CrewTalk™, TowerCom™, DynaChuff™, StationSounds™, Pullmor®, ElectroCoupler™, Magne-Traction®, CAB-1® Remote Controller, PowerMaster®, Lionel ZW®, ZW®, PowerHouse®, TMCC®, Lionelville™, Lockon®, Wireless Tether™, LionMaster®, FatBoy™, American Flyer®, TrainSounds™, PowerMax™, LEGACY™, PowerMax™ Plus

The name FasTrack® is used with permission from Pitsco, Inc.

Limited Warranty/Lionel Service

This Lionel product, including all mechanical and electrical components, moving parts, motors and structural components, except for light bulbs, is warranted to the original consumer-purchaser, for **one year** against original defects in materials or workmanship when purchased through an authorized Lionel merchant.

This warranty does NOT cover normal wear and tear, light bulbs, defects appearing in the course of commercial use, or damage resulting from abuse or misuse of the product by the purchaser. Transfer of this product by the original consumer-purchaser to another person voids this warranty. Modification of this product voids this warranty.

Any warranted product which is defective in original materials or workmanship and is delivered by the original consumer-purchaser to Lionel L.L.C. or an authorized Lionel L.L.C. Service Center, together with proof of original purchase will, at the option of Lionel L.L.C., be repaired or replaced, without charge for parts or labor. In the event the defective product cannot be repaired, and a replacement is not available, a refund of the original purchase price will be granted. Any products on which warranty service is sought must be sent freight or postage prepaid, as transportation and shipping charges are not covered by the warranty.

In no event shall Lionel L.L.C. be liable for incidental or consequential damages.

Some states do not allow the exclusion or limitation of incidental or consequential damages, so the above exclusion may not apply to you.

This limited warranty gives you specific legal rights, and you may have other rights which vary from state to state.

Instructions for Obtaining Service

If service for this Lionel L.L.C. product is required, bring the item, along with your dated sales receipt and completed warranty information to the nearest Authorized Lionel Service Center. Your nearest Lionel Service Center can be found by calling 1-800-4-Lionel, or by accessing our Website at www.lionel.com.

If you prefer to send your product back to Lionel L.L.C. for repair in Michigan, you must first call 586-949-4100 or FAX 586-949-5429, or write to Customer Service, P.O. Box 748, New Baltimore, MI 48047-0748, stating what the item is, when it was purchased and what seems to be the problem. You will be sent a return authorization letter and label to ensure your merchandise will be properly handled upon receipt.

Once you have received your return authorization and label, make sure that the item is packed to prevent damage during shipping and handling. We suggest that you use the product's original packaging. This shipment must be prepaid and we recommend that it be insured.

Please make sure you have followed all of the above instructions carefully before returning any merchandise for service. You may choose to have your product repaired by one of our Authorized Lionel Service Centers after its warranty has expired. A reasonable service fee will be charged.

Warranty Information

Please complete the information below and keep it, along with your dated sales receipt. You must present this and your dated sales receipt when requesting warranty service.

Name _____

Address _____

Place of Purchase _____

Date of Purchase _____

Product Number _____

Product Description _____

