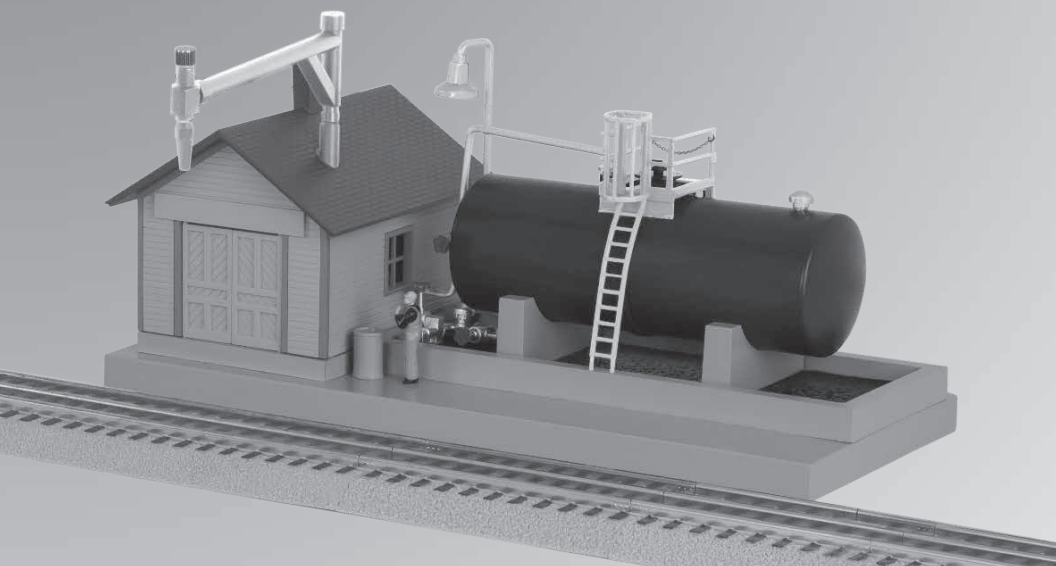




73-7821-250
11/15



Lionel Command Control Smoke Fluid Loader Owner's Manual

Featuring



Congratulations!

Congratulations on your purchase of the Lionel Command Control Smoke Fluid Loader! This action-packed accessory can be used with command control to fill your steam and diesel locomotives with smoke fluid. *This accessory cannot be used with conventional transformer control.*

Accessory Features

- **Dual motors for arm movement and pump**
- **Large smoke fluid reservoir in tank**
- **Lighted lamp post**
- **Completely controllable through your CAB-1, CAB-1L, or CAB-2 Remote**

Table of contents

Installing your accessory

Installing your Smoke Fluid Loader on your layout	3
Filling your loader	4

Command Operation

Setting the address	5
Operating your Smoke Fluid Loader	6
Maintenance and Service	7
Lionel Warranty	8

The following Lionel marks are used throughout this Owner's Manual and are protected under law. All rights reserved.

Lionel®, *LionChief™*, *LionChief Plus™*, *TMCC®*, *LEGACY®*, *FasTrack®*, *TrainMaster®*, *Odyssey®*, *RailSounds®*, *CrewTalk™*, *TowerCom™*, *DynaChuff™*, *StationSounds™*, *Pullmor®*, *ElectroCoupler™*, *Magne-Traction®*, *CAB-1® Remote Controller*, *American Flyer®*, *Lionel ZW®*, *ZW®*, *MagniVision®*, *TMCC®*, *Lionelville®*, *Wireless Tether™*, *Powerhouse™*, *LionMaster®*, *Conventional Classics™*, *Postwar Celebration Series™*, *TruRail™*, *PH-1 Powerhouse®*, *Powermaster®*, *Powerstation-Powerhouse®*, *Accessory Motor Controller™*, *AMC™*, *Accessory Switch Controller™*, *ASC™*, *Action Recorder Controller™*, *ARC™*, *Track Power Controller 300™*, *TPC 300™*, *Track Power Controller 400™*, *TPC 400™*, *Block Power Controller™*, *BPC™*, *Operating Track Controller™*, *OTC™*, *FatBoy™*, *Lionel Lines®*, *Joshua Lionel Cowen Series™*, *Lockon®*, *TrainSounds™*, *MultiHorn™*, *MultiWhistle™*, *Choo-Choo™*, *SensorTrack™*, *Plug-n-Play™*, *Imagineering™*

Installing your accessory

Installing your Smoke Fluid Loader on your layout

Begin installation by connecting the Smoke Fluid Loader to your layout's accessory power supply. The accessory is designed to work best on continuous 18 Volts AC. Use the Plug-n-Play connector to attach a FasTrack Power Lock-on (6-81313 or 6-81314) or use the pigtail wire extension to connect the accessory terminals on your transformer.

Your Smoke Fluid Loader will work with any locomotive and any track system as long as it is positioned the proper distance from the track and height above the rails. To position the accessory, position the arm in the loading position (see operating instructions on page 7) and adjust it to fit your locomotives. We recommend using your tallest locomotive to set the height.

We also recommend that you position the loader along a straight track long enough for your longest locomotive so that the stack stays in line with the centerline of the track.

Once in position, the accessory can be attached to your platform using screws in the holes provided.

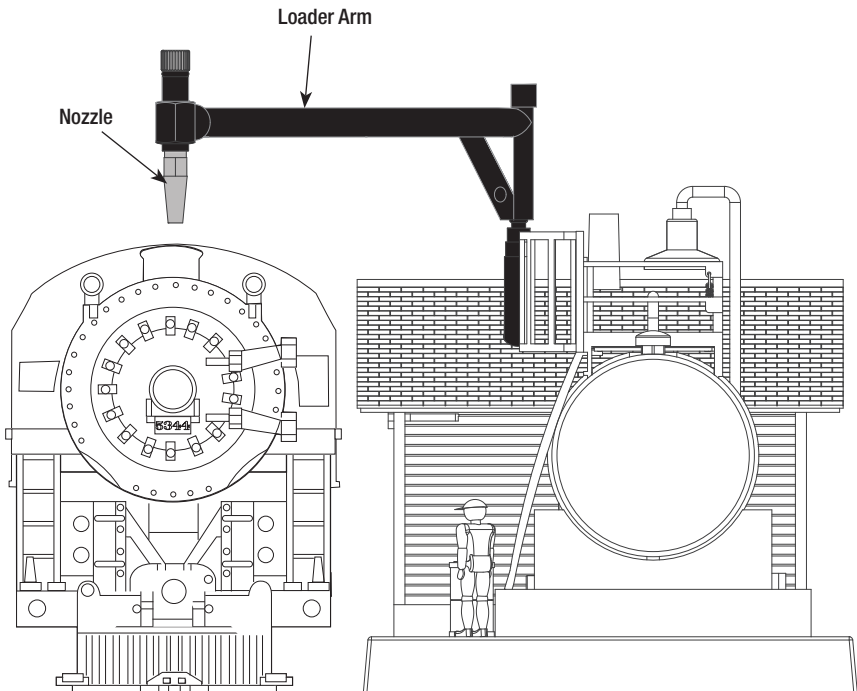


Figure 1. Positioning your loader on your layout

Installing your accessory

Installing the Loading Arm

Your Smoke Fluid Loader loading arm is shipped disassembled for protection. To install, simply press the arm down on the post. You can position the arm manually where you'd like it for its starting or "stored" position.

The motor in the accessory will move the arm up to 90 degrees but the arm has a full 360 degree motion. The arm has been designed so that you can position it however you'd like for use on your layout as well as making adjustments without any damage to the accessory.

Should you want to remove the arm, simply hold the post firmly at the base and pull straight up on the arm assembly.

Filling the reservoir

Your Smoke Fluid Loader has a large reservoir inside the storage tank for holding smoke fluid. To fill the tank, open the plug on the top of the tank. Lift straight up on the outside edge of the round lid.

We recommend using only Lionel Premium Smoke Fluid (6-37841), available from your local dealer or Lionel.com.

Replace the cap after filling. Spills can be wiped up with a soft cloth.

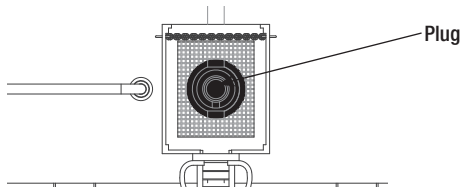


Figure 2. Opening the top of the tank

Command operations

Your Smoke Fluid Loader can only be operated with the LEGACY CAB-2, CAB-1L, or TMCC CAB-1 remote. *The accessory will not function with conventional control.*

Programming the address

Each accessory and locomotive on your layout should have a unique address between 1 and 98. Number 99 is used as a default and will not be accepted by the Smoke Fluid Loader. Your Smoke Fluid Loader can be programmed as an accessory or as a locomotive. Accessories, locomotives and switches may have the same number. (You could have a locomotive “12” and still number your Smoke Fluid Loader as accessory “12” for example.)

To program your Smoke Fluid Loader address:

- 1. Set the Prog / Run switch on the side of the building to Program.**
- 2. Turn on the power**
- 3. Using your Cab 2 / Cab 1, press ACC, the number you’ve chosen and SET.**
The lamp post LED will flash to confirm the selection.
- 4. Set the Prog / Run switch to Run.** Record the address in a convenient location for future reference.

Note! If you are programming your loader as a locomotive and using a LEGACY CAB-2 remote, set the control type to CAB-1 mode.

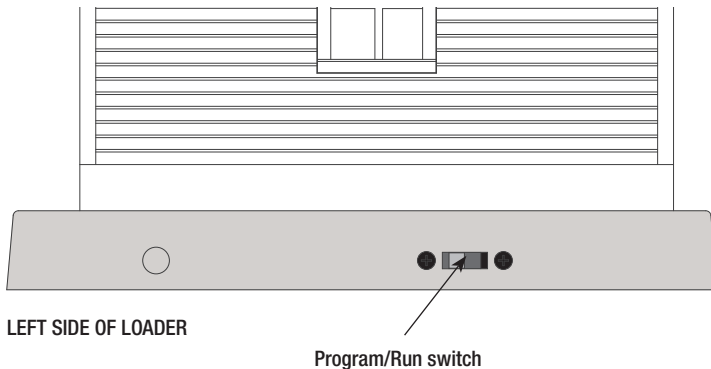


Figure 3. Switch location

Command operations

Operating the Smoke Fluid Loader

To operate your loader, position your locomotive next to the accessory. Line up the stack with the fluid pipe where it extends from the roof of the shed.

Select the Accessory address you've selected for the Smoke Fluid Loader.

Turn the red control knob clockwise to swing the loading arm 90°. (Reselect your locomotive and reposition directly under the stack if necessary.)

The accessory is equipped with limit switches so that the arm will only move 90 degrees. You can move the arm further or make adjustments to the arm location by hand as well without damaging the mechanics or electronics.

Pull down on the Brake button to dispense fluid into the stack.

Note! This accessory is designed to place one drop of smoke fluid at a time to allow you to add the precise amount of fluid to your locomotive.



After filling your locomotive with the desired amount, turn the red knob counter clockwise to return the loading arm to its stored position.

Reselect your locomotive and highball!

Note! Over filling a smoke unit can cause extensive damage to your locomotive. We recommend 10 to 20 drops as a normal average for Lionel smoke units. We recommend filling a new locomotive manually until you know its appetite.

Note! As with manual fills, air bubbles in the smoke stack can prevent your locomotive from smoking well after loading. Blowing down the stack will usually clear these bubbles.

Note! You can turn the lights on the accessory on and off using the Aux1 and 9 key to turn the lights on and Aux1 and 8 to turn them off.

Maintenance and Service

Emptying the Reservoir

Should you want to empty your storage tank, there is a fast and easy shortcut.

- First, position the arm so that you can place your smoke fluid bottle underneath.
- Move the Program/Run switch on the side of the accessory to the Program position (See page 6).
- Pull down the on brake button on your command remote until all of the fluid has been pumped out.
- You can then put the Program/Run switch back into the Run position and return the spout to its normal location.

Maintaining and Servicing your accessory

With proper care and maintenance, your accessory should provide years of enjoyment.

This accessory is designed to be used with Lionel Premium Smoke Fluid (6-37841) only. Because the viscosity of smoke fluids can vary, use of other liquids may impact performance and could potentially damage the pump and/or tubing.

Do not use the smoke fluid included in Lionel starter sets.

Maintaining your LED light

Your smoke fluid loader includes 1 LED. The LED is expected to last for the life of the accessory and is not user serviceable. Contact Lionel Service if your LED needs replacing.

Lionel Limited Warranty Policy & Service

This Lionel product, including all mechanical and electrical components, moving parts, motors and structural components, with the exception of **LIGHT BULBS, LED's & TRACTION TIRES** are warranted to the original owner-purchaser for a period of **one year from the original date of purchase** against original defects in materials or workmanship when purchased through a **Lionel Authorized Retailer***.

This warranty does **NOT** cover the following:

- Normal wear and tear
- Light bulbs or LED's
- Defects appearing in the course of commercial use
- Damage resulting from abuse/misuse of the product

Transfer of this product by the original owner-purchaser to another person voids this warranty in its entirety. Modification of this product in any way; visually, mechanically or electronically, voids the warranty in its entirety.

Any warranted product which is defective in original materials or workmanship and is delivered by the **original owner-purchaser** (this warranty is non-transferrable) to Lionel LLC or any Lionel Authorized Service Station **MUST** be accompanied by the original receipt for purchase (or copy) from an **Authorized Lionel Retailer***, will at the discretion of Lionel LLC, be repaired or replaced, without charge for parts or labor. In the event the defective product cannot be repaired, and a suitable replacement is not available, Lionel will offer to replace the product with a comparable model (**determined by Lionel LLC**), if available. In the event a comparable model is not available the customer will be refunded the original purchase price (requires proof of purchase from the **Authorized Lionel Retailer*** it was originally purchased). Any products on which warranty service is sought must be sent freight or postage prepaid (Lionel will refuse any package when postage is due). **Transportation and shipping charges are not covered as part of this warranty.**

NOTE: Products that require service that do not have a receipt from a LIONEL AUTHORIZED RETAILER* will be required to pay for all parts required to repair the product (labor will not incur a charge) providing the product is not older than 3 years from date of manufacture and is within 1 year from date of purchase. A copy of the original sales receipt is required.

In no event shall Lionel LLC be held liable for incidental or consequential damages.

Some states do not allow the exclusion or limitation of incidental or consequential damages, so the above exclusion may not apply to you. This warranty gives you specific legal rights and you may have other rights which vary from state to state.

Instructions for Obtaining Service

If service for this Lionel LLC product is required, bring the item, along with your DATED sales receipt and completed warranty information (at the bottom of this page) to the nearest Lionel Authorized Service Station. Your nearest Lionel Service Station can be found by calling 1-800-4-LIONEL or by accessing the website at www.lionel.com.

If you prefer to send your Lionel product directly to Lionel, for repair you must FIRST call 586-949-4100 extension 2 or write to Lionel Customer Service, 6000 Victory Lane, Concord, NC 28027. Please have the 6-digit Lionel product number, the date of original purchase, the dealer where the item was purchased and what seems to be the problem. You will receive a return authorization (RA) number to ensure your merchandise will be properly tracked and handled upon receipt at Lionel LLC.

Once you have your Return Authorization (RA) number, make sure the item is packed in its original Styrofoam inner container which is placed inside the original outer display box (this will help prevent damage during shipping and handling). This shipment **MUST** be prepaid and we recommend that it be insured with the carrier of your choice.

Please make sure you have followed all of the above instructions carefully before returning any merchandise for service. You may choose to have your product repaired by one of Lionel LLC's Authorized Service Stations after its warranty has expired. A reasonable service fee should be expected once the product warranty has expired.

Warranty Information

Please complete the information below and keep it, along with your **DATED ORIGINAL SALES RECEIPT**. You **MUST** present this form **AND** your **DATED SALES RECEIPT** when requesting warranty service.

*A complete listing of Lionel Authorized retailers can be found by calling 1-800-4-LIONEL or by visiting our website at www.lionel.com.

Products that are more than 3 years old, from date of manufacture, are not applicable for warranty coverage, even if they have never been sold prior to this date. (Under no circumstance shall any components or labor be provided free of charge.)

Name _____

Address _____

Place of Purchase _____

Date of Purchase _____

Product Number _____



©2015 LIONEL L.L.C.
6301 Performance Dr., CONCORD, NC 28027
UNITED STATES OF AMERICA
PRINTED IN CHINA