

Instructions for Operating **LIONEL NO. 2242P DIESEL LOCOMOTIVE**



Lionel No. 2242 New Haven diesels are accurate replicas of General Motors' F3. Used for both passenger and freight service, the F3 diesels were a common sight on many railroads.

The magnificent Lionel F3 A-B set includes one powered A unit and one non-powered B unit. The powered F3 is equipped with two Pullmor motors, Magne-Traction, and features a wealth of realistic detail. These A-B diesel engines are built to run on either "O" or "O27" track..

LIONEL "MAGNE-TRACTION"

This locomotive is equipped with "Magne-Traction" which means that its driving wheels are magnetized by powerful Alnico magnets inserted in the driving axles in order to grip the track and enable the locomotive to pull heavier loads and climb steeper grades without slipping on the track. Be careful not to let pins, paperclips, carpet tacks or other small iron objects come in contact with the locomotive or they will be attracted to the wheels, gears, or axles and interfere with the action of the locomotive. NOTE: "Magne-Traction" is not effective on aluminum, brass or other non-magnetic rails. The locomotive also includes four traction tires, which will improve traction on both magnetic and non-magnetic rails.

#2507W FREIGHT SET INCLUDES:

Powered F3-A diesel, non-powered F3-B diesel, double door box car, boxcar, flatcar with two autos, animated gondola, and an illuminated caboose

LOCOMOTIVE FEATURES:

Powered F3 A-unit

- Electronic E-Unit with Direction Lock
- Transformer controlled forward, neutral and reverse operation
- Electronic diesel horn and bell with volume control
- Operating coupler
- Dual powerful Pullmor motors
- Magne-Traction track gripping system
- Traction tires
- Lighted number boards
- Lighted cab interior
- Minimum Curve: 0-31

Non-powered F3 B-unit

- Operating coupler
- Die-cast frame

ROLLING STOCK FEATURES:

- Bar-end and AAR style metal trucks and operating couplers
- Flatcar includes two automobiles
- Caboose features interior illumination

The following Lionel marks may be used throughout this instruction manual and are protected under law. All rights reserved.

Lionel®, *TrainMaster®*, *Odyssey®*, *RailSounds®*, *CrewTalk™*, *TowerCom™*, *DynaChuff™*, *StationSounds™*, *Pullmor®*, *ElectroCoupler™*, *Magne-Traction®*, *CAB-1® Remote Controller*, *PowerMaster®*, *Lionel ZW®*, *ZW®*, *PowerHouse®*, *TMCC®*, *Lionelville™*, *Lockon®*, *Wireless Tether™*, *LionMaster®*, *FatBoy™*, *American Flyer®*, *TrainSounds™*, *PowerMax™*, *LEGACY™*, *PowerMax™ Plus*, *Odyssey II™*, *LEGACY RailSounds™*

The name FasTrack® is used with permission from Pitsco, Inc.

Transformer operations

RUNNING YOUR LOCOMOTIVE WITH A LIONEL TRANSFORMER

Caution!

Do not power your locomotive with direct current (DC).
Damage to sensitive electronic components may occur.

1

PLACE YOUR TRAIN SET ON LIONEL OR LIONEL-COMPATIBLE O GAUGE TRACK.

2

THROTTLE UP YOUR LOCOMOTIVE WITH YOUR TRANSFORMER.

Your locomotive is designed to operate on 8-18 volts alternating current. Virtually all Lionel and Lionel-compatible alternating current transformers are suitable.

Throttle up your locomotive and it will begin to move in the forward direction. Adjust track voltage until your locomotive moves at your desired speed. To increase speed, increase track voltage. To decrease speed, decrease voltage.

Pressing the DIRECTION button on your transformer will sequence the Electronic E-unit to the next operating state in the repeating sequence of: forward, neutral, reverse, neutral, and so on.

To stop the locomotive, cycle the Electronic E-unit to neutral or turn-off track power.

Transformer operations

LOCKING YOUR LOCOMOTIVE INTO FORWARD DIRECTION ONLY OPERATION

When the Electronic E-unit Direction Lock switch is in the RUN position, your locomotive sequences through a repeating pattern of operations: forward, neutral, reverse, neutral, and so on.

To lock your locomotive into forward direction only operation, you can deactivate the Electronic E-unit's sequencing function. Follow the steps below and refer to Figure 1 for the location of the Electronic E-unit Direction Lock switch.

Note! Always turn off track power before removing the locomotive from the track.

1. Turn off track power, wait three seconds, and remove the locomotive from the track. Now slide the Electronic E-unit Direction Lock switch to the LOCK position. Your locomotive is now locked into forward direction only operation.
2. Place your locomotive back on the track. Power up the track and press the direction button on your transformer to confirm that the locomotive is now locked into forward direction only operation.

To restore the forward-neutral-reverse sequence, turn off power and remove your locomotive from the track. Slide the Electronic E-unit Direction Lock switch back to the RUN position. Place the locomotive back on the track and restore track power.

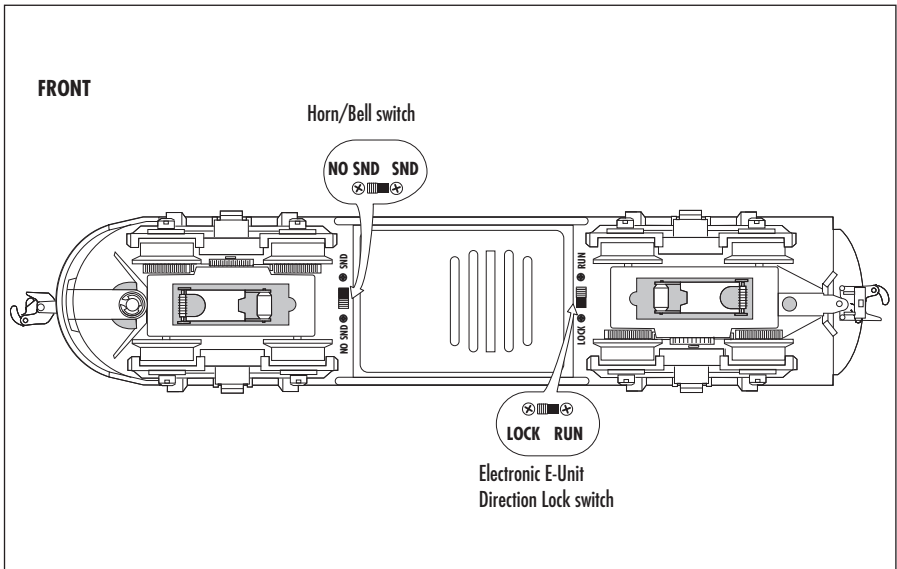


Figure 1. Switch locations

Transformer operations

USING YOUR LOCOMOTIVE'S MAGNETIC COUPLERS

Both F3 A-unit locomotives are equipped with operating magnetic knuckle couplers, a revolutionary design first introduced by Lionel in 1945.

Lionel magnetic couplers react to the magnetic field generated by a Lionel Remote-Control Track section (available separately, 6-65149 or 6-12746 for O-27 gauge; 6-65530 for O gauge; or 6-12020 and 6-12054 for FasTrack layouts).

Place your locomotive's coupler trigger disc over the central coil of a Remote-Control Track section and press UNCOUPLE on the controller. The magnetic field pulls the disc downward, and the knuckle opens.

One operating technique favored by Lionel railroaders is the "moving uncouple." Press the UNCOUPLE button as the locomotive passes over a Remote-Control Track section. The magnetic field will open the coupler; the consist remains behind as the locomotive moves on. But be careful—the speed of a newly uncoupled and moving locomotive can increase dramatically.

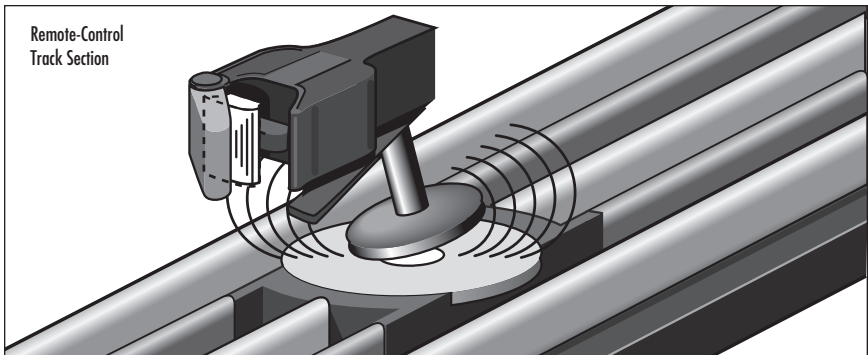


Figure 2. Magnetic coupler operation

Transformer operations

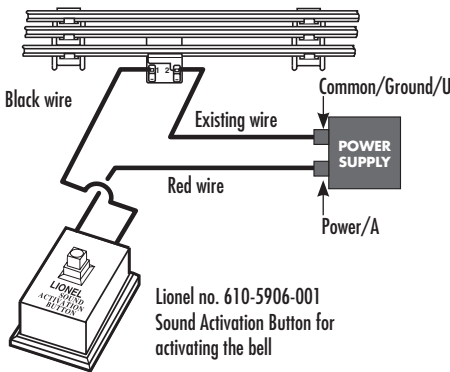
SOUNDING YOUR LOCOMOTIVE'S ELECTRONIC HORN AND BELL

Use the HORN and BELL buttons on your transformer to activate the locomotive's horn and bell sounds.

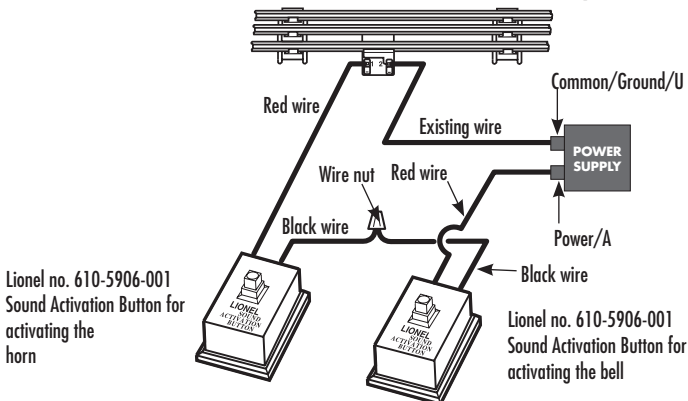
If your transformer lacks HORN and BELL buttons, you will need to install Lionel no. 610-5906-001 Sound Activation Buttons (available separately) to activate the locomotive's horn and bell sounds.

Connect the buttons as shown below. Be sure that all track power passes through the Sound Activation Button(s).

FOR AC TRANSFORMERS LACKING A BELL BUTTON



FOR AC TRANSFORMERS LACKING BELL AND HORN/WHISTLE BUTTONS



To adjust the volume of the horn and bell sounds, use the powered F3 A-unit radiator fan volume control knob. See Figure 8 on page 13 for the location of the Volume Control Knob.

To deactivate the electronic horn and bell sounds, slide the HORN/BELL switch to the NO SND position. See Figure 1 on page 4 for the location of the HORN/BELL switch.

Operating and servicing your set

LUBRICATING YOUR LOCOMOTIVES

The life and performance of the locomotive depends to a considerable extent upon proper care and lubrication of the motor and other moving parts. Since your locomotive might have been stored on the dealer's shelves for some time, be sure to lubricate it according to the lubrication chart in Figure 4 and 5 on page 9 before running it for the first time. Put a small dab of Lionel Lubricant at all points marked "L". Using the point of a pin or a thin wire, put a drop of Lionel Oil at points marked "O". Lubricate carefully but never to excess. A small amount of oil or lubricant, properly applied, goes a long way. Be careful not to get any oil or lubricant on the running surfaces of the wheels or on the rails, or your locomotive will lose traction and do not lubricate locomotive rollers.

The motors of this locomotive require occasional lubrication with a few drops of light machine oil. See page 10.

A complete Lubrication and Maintenance Kit No. 927 (6-62927) which contains all the material and equipment necessary to keep your outfit in top notch condition may be obtained from your authorized Lionel dealer or service station.

Operating and servicing your set

LUBRICATING THE ROLLING STOCK TRUCKS

Improperly lubricated rolling stock trucks may double the drag on your locomotive. Spin the wheels by hand. If they show any signs of drag or binding, remove the old lubricant and the accumulated dust and dirt with Lionel Cleaner and apply a drop of fresh oil at the ends of the axles. The lubrication points are designated as “O”. See Figure 3.

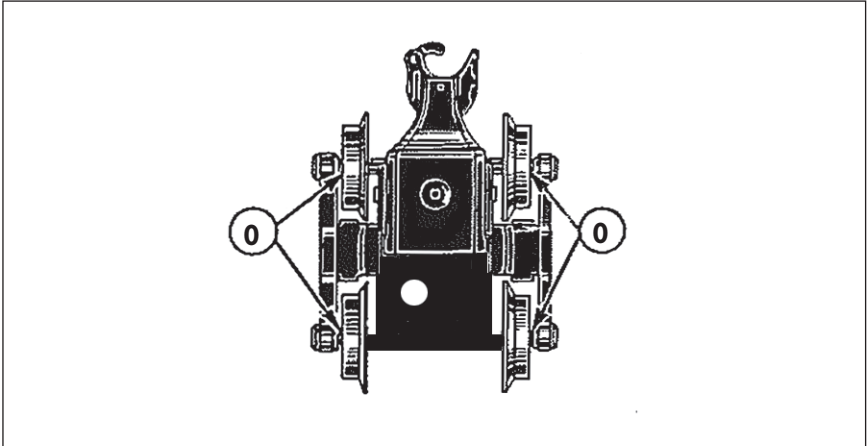


Figure 3. Lubricating the trucks

Operating and servicing your set

LUBRICATING YOUR LOCOMOTIVES

Help your Lionel locomotive lead a long and productive life on your railroad by maintaining it properly. To keep your locomotive lubricated, we recommend that you purchase a Lionel Lubrication and Maintenance Kit (6-62927), available from your authorized Lionel dealer or service station.

When you find that the lubrication points illustrated in Figures 4 and 5 appear dry, lubricate your locomotive after you have removed any accumulated dirt and dust. There are two basic rules to keep in mind when you are lubricating your locomotive: use only a small amount of lubrication and avoid getting grease or oil on your locomotive's wheels, roller pick-ups, or the track.

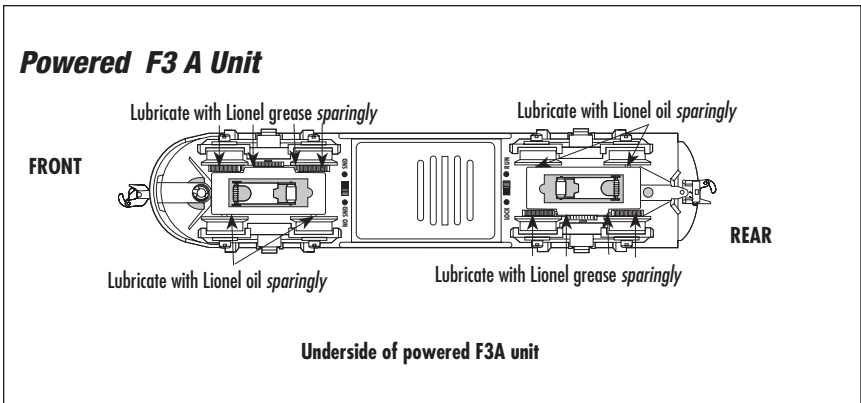


Figure 4. Lubricating the powered unit

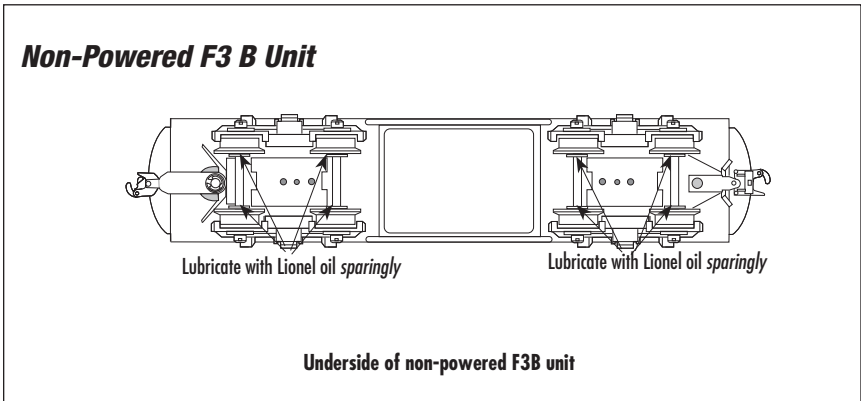


Figure 5. Lubricating the non powered unit

Operating and servicing your set

LUBRICATING YOUR F3'S PULLMOR MOTOR ARMATURES

Your powered F3 A-unit will require occasional lubrication of its Pullmor motor armatures. If you hear excess noise during operation, or if the locomotive slows down intermittently, you may need to oil the top armature bearing.

1. Remove the front screw on the underside of the frame and lift the body up slightly, pulling it forward to release the two rear clips from the frame slots. See Figure 7 on page 11.
2. Apply a small amount of Lionel oil (two drops) in the armature shaft hole. Refer to Figure 6.
3. To reinstall the shell, first insert the rear tabs on the body into the slots on the frame. Line up the screw holes on the frame and body shell, and reinsert the screw. Make sure all of the wires are inside the body before you tighten the screw.

Note! To prevent damage to the locomotive body, do not overtighten the body screw.

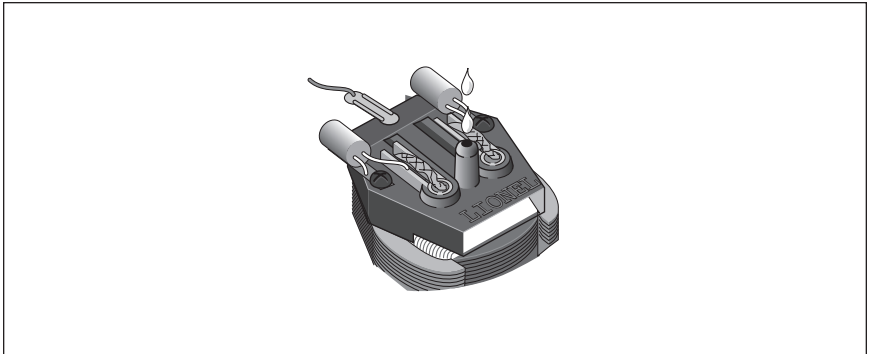


Figure 6. Pullmor motor lubrication

Operating and servicing your set

REPLACING THE LAMPS IN YOUR F3A UNITS

Your F3 A-units are each illuminated by a 14-volt lamp. During the course of normal operation, they may require replacement.

1. Remove the front screw on the underside of the frame and lift the body up slightly, pulling it forward to release the two rear clips from the frame slots.
2. To remove the lamp, gently push the lamp down and turn counter clockwise to disengage the lamp from the socket. Refer to Figure 7.
3. Replace the expired lamp with Lionel part no. 600-0363-300, available from your local Lionel Authorized Service Center or Lionel Service. (For more information, see Lionel Service on page 12.)
4. To reinstall the shell, first insert the rear tabs on the body into the slots on the frame. Line up the screw holes on the frame and body shell, and reinsert the screw. Make sure all of the wires are inside the body before you tighten the screw.

Note! To prevent damage to the locomotive body, do not overtighten the body screw.

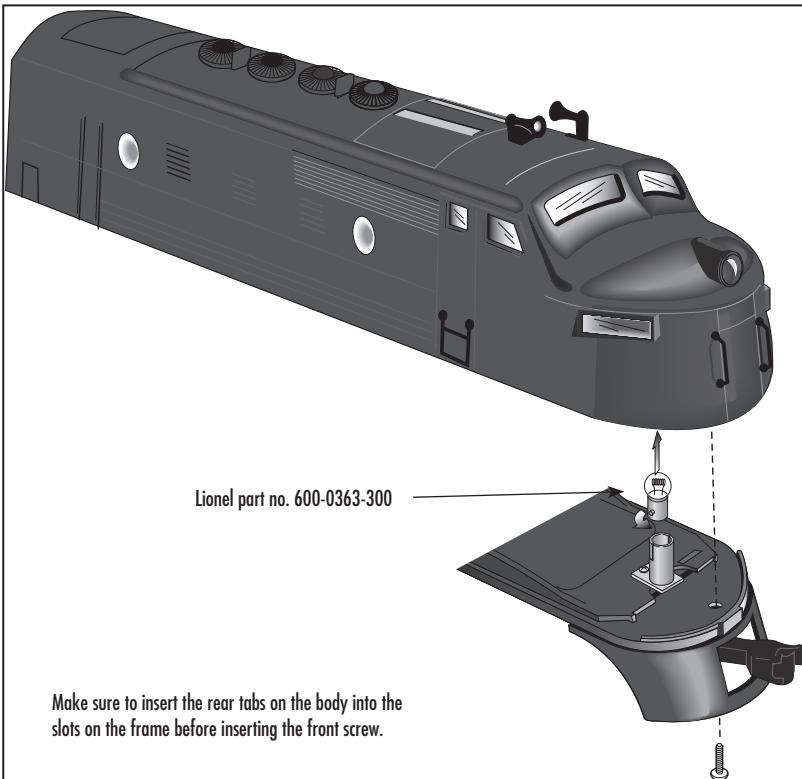


Figure 7. Lamp replacement

Operating and servicing your set

REPLACING THE TRACTION TIRES

Your locomotive is equipped with traction tires to increase the tractive effort of your locomotive and allow it to pull more cars at one time.

During the course of normal operations, the traction tires may become worn out. Replacement traction tires are included with the locomotive. We recommend that you have the traction tires (610-6001-065) replaced by an authorized Lionel dealer or service station because the truck and side frames must be removed to access the wheels. See **Instructions for Obtaining Service** on page 16 for more information.

Operating and servicing your set

ADJUSTING THE VOLUME

To adjust the volume, use the F3 A-unit's radiator fan volume control knob shown in Figure 8 below.

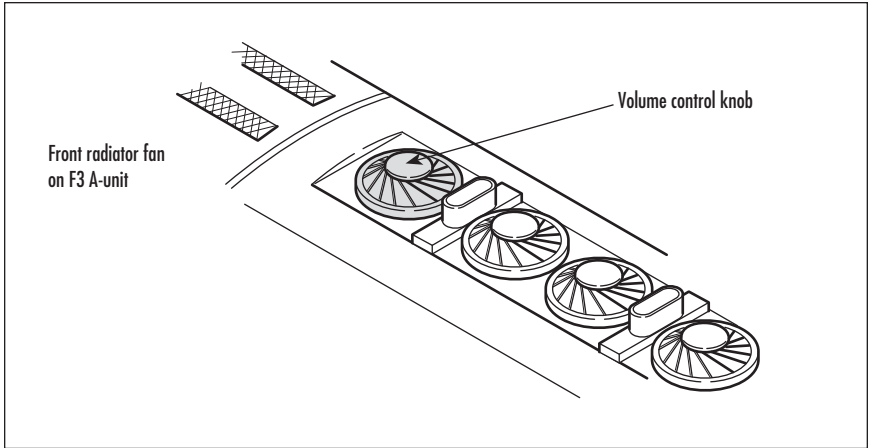


Figure 8 Adjusting the volume

Operating and servicing your set

REPLACING THE CABOOSE'S INTERIOR LAMP

The interior of your caboose is illuminated by one lamp, Lionel part no. 600-8352-311.

During the course of normal operations, this lamp may require replacement. Replacement lamps are available at your authorized Lionel Service Center or from Lionel Service in Chesterfield, MI.

1. Remove the two screws from the ends of the car.
2. Lift the body straight up and off the frame.
3. Gently press down and rotate the expired lamp, then pull it out of the socket.
4. Press the replacement lamp into the socket, rotating it until it locks into place.
5. Reinstall the body, making sure that the ladders are in place before tightening the screws.

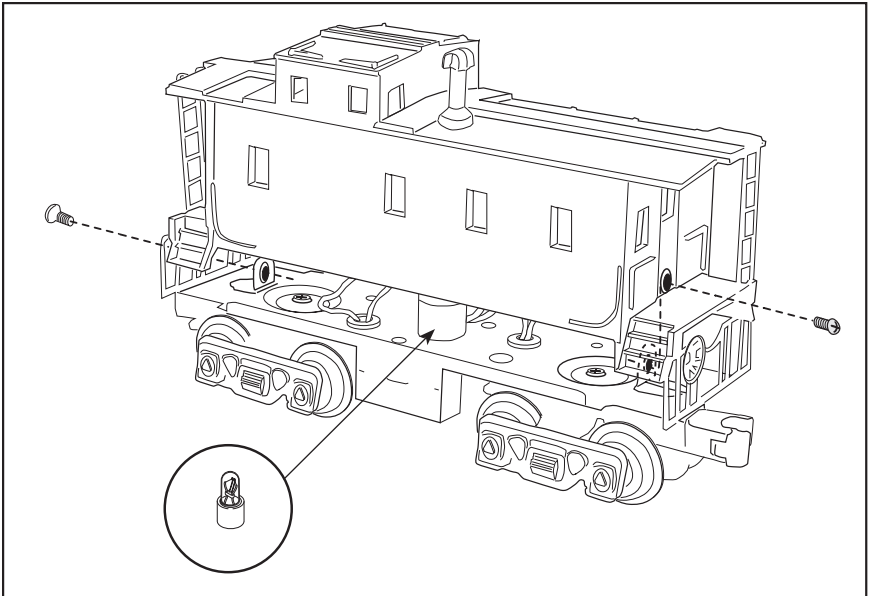


Figure 10. Caboose lamp replacement

NOTES

Lionel Limited Warranty Policy & Service

This Lionel product, including all mechanical and electrical components, moving parts, motors and structural components, with the exception of **LIGHT BULBS, LED's & TRACTION TIRES** are warranted to the original owner-purchaser for a period of **one year from the original date of purchase** against original defects in materials or workmanship when purchased through a **Lionel Authorized Retailer***.

This warranty does **NOT** cover the following:

- Normal wear and tear
- Light bulbs or LED's
- Defects appearing in the course of commercial use
- Damage resulting from abuse/misuse of the product

Transfer of this product by the original owner-purchaser to another person voids this warranty in its entirety. Modification of this product in any way; visually mechanically or electronically, voids the warranty in its entirety.

Any warranted product which is defective in original materials or workmanship and is delivered by the **original owner-purchaser** (this warranty is non-transferrable) to Lionel LLC or any Lionel Authorized Service Station **MUST** be accompanied by the original receipt for purchase (or copy) from an **Authorized Lionel Retailer***, will at the discretion of Lionel LLC, be repaired or replaced, without charge for parts or labor. In the event the defective product cannot be repaired, and a suitable replacement is not available, Lionel will offer to replace the product with a comparable model (**determined by Lionel LLC**), if available. In the event a comparable model is not available the customer will be refunded the original purchase price (requires proof of purchase from the **Authorized Lionel Retailer*** it was originally purchased). Any products on which warranty service is sought must be sent freight or postage prepaid (Lionel will refuse any package when postage is due). **Transportation and shipping charges are not covered as part of this warranty.**

NOTE: Products that require service that do not have a receipt from a LIONEL AUTHORIZED RETAILER* will be required to pay for all parts required to repair the product (labor will not incur a charge) providing the product is not older than 3 years from date of manufacture and is within 1 year from date of purchase. A copy of the original sales receipt is required.

In no event shall Lionel LLC be held liable for incidental or consequential damages.

Some states do not allow the exclusion or limitation of incidental or consequential damages, so the above exclusion may not apply to you.

This warranty gives you specific legal rights and you may have other rights which vary from state to state.

Instructions for Obtaining Service

If service for this Lionel LLC product is required; bring the item, along with your DATED sales receipt and completed warranty information (at the bottom of this page) to the nearest Lionel Authorized Service Station. Your nearest Lionel Service Station can be found by calling 1-800-4-LIONEL or by accessing the website at www.lionel.com.

If you prefer to send your Lionel product directly to Lionel, for repair you must FIRST call 586-949-4100 extension 9105 or FAX Lionel at 586-949-5429 or write to Customer Service, 26750 Twenty Three Mile Road, Chesterfield, MI 48051-2493. Please have the 6-digit Lionel product number, the date of original purchase, the dealer where the item was purchased and what seems to be the problem. You will receive a return authorization (RA) number to ensure your merchandise will be properly tracked and handled upon receipt at Lionel LLC.

Once you have your Return Authorization (RA) number, make sure the item is packed in its original Styrofoam inner container which is placed inside the original outer display box (this will help prevent damage during shipping and handling). This shipment MUST be prepaid and we recommend that it be insured with the carrier of your choice.

Please make sure you have followed all of the above instructions carefully before returning any merchandise for service. You may choose to have your product repaired by one of Lionel LLC's Authorized Service Stations after its warranty has expired. A reasonable service fee should be expected once the product warranty has expired.

Warranty Information

Please complete the information below and keep it, along with your **DATED ORIGINAL SALES RECEIPT**. You **MUST** present this form **AND** your **DATED SALES RECEIPT** when requesting warranty service.

*A complete listing of Lionel Authorized retailers can be found by calling 1-800-4-LIONEL or by visiting our website at www.lionel.com.

Products that are more than 3 years old, from date of manufacture, are not applicable for warranty coverage, even if they have never been sold prior to this date. (Under no circumstance shall any components or labor be provided free of charge.)

Name _____

Address _____

Place of Purchase _____

Date of Purchase _____

Product Number _____

Product Description _____

