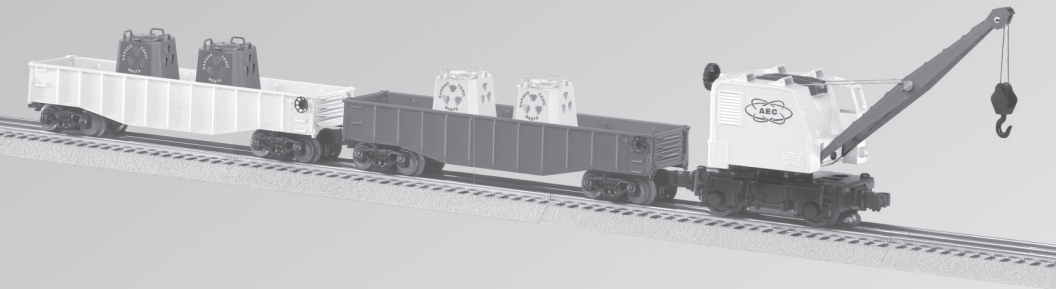


73-1774-250
4/09



Lionel
AEC Burro Crane Set
Owner's Manual

Congratulations!

Congratulations on your purchase of the Lionel AEC Burro Crane Set! The classic motorized Burro Crane features a powerful Pullmor motor, a swiveling cab, and an adjustable boom. Two gondolas carry nuclear reactor containers. The set also includes glow-in-the-dark “isotop” material and metal pellets that can be used in conjunction with the #463 Nuclar Reactor (sold separately).

Table of contents

Using the Burro Crane with track actuators	3
Operating the Burro Crane	3-4
<i>Moving the unit</i>	4
<i>Adjusting the boom</i>	4
<i>Rotating the cab</i>	4
<i>Raising and lowering the hook</i>	4
Lubricating your Burro Crane	5
Lubricating the Pullmor motor armature bearings	6-7
Replacing the traction tire	7
Lionel Limited Warranty Policy & Service	8

The following Lionel marks may be used throughout this instruction manual and are protected under law. All rights reserved.

Lionel®, *TrainMaster*®, *Odyssey*®, *RailSounds*®, *CrewTalk*™, *TowerCom*™, *DynaChuff*™, *StationSounds*™, *Pullmor*®, *ElectroCoupler*™, *Magne-Traction*®, *CAB-I*® *Remote Controller*; *PowerMaster*®, *Lionel ZW*®, *ZW*®, *PowerHouse*®, *TMCC*®, *Lionelville*™, *Lockon*®, *Wireless Tether*™, *LionMaster*®, *FatBoy*™, *American Flyer*®, *TrainSounds*™, *PowerMax*™, *LEGACY*™, *PowerMax Plus*™, *Odyssey II*™, *LEGACY RailSounds*™

The name FasTrack® is used with permission from Pitsco, Inc.

Using the Burro Crane with track actuators

Note! FasTrack operators will require the 6-12040 FasTrack Transition Pieces (sold separately) to transition to “O” gauge track to attach the track actuators on your layout. Each track actuator requires two 6-12040 FasTrack Transition Pieces.

Two track actuators are included with the Burro Crane. The track actuators change the position of the direction control switch, reversing the direction of the crane. The direction control switch is illustrated in Figure 2 on page 4.

- If you place one actuator on your loop of track, the crane will travel around the loop, change directions, and then travel around the loop in the opposite direction.
- If you place two actuators along the track, the crane will go back and forth between the actuators.

As illustrated in Figure 1, attach the actuators to the track where you want to change directions. Simply hook the metal arm around the outside rail and pull back on the actuator base. Release the base so that it clamps the other outside rail. Position the vertical fins on the actuators next to the track to trigger the Burro Crane, or rotate the fins away from the track to let the Burro Crane pass without a direction change.

Note! Be sure that the vertical fin on the actuator is positioned on the side of the Burro Crane with the direction control switch. This switch is shown in Figure 2 on page 4.

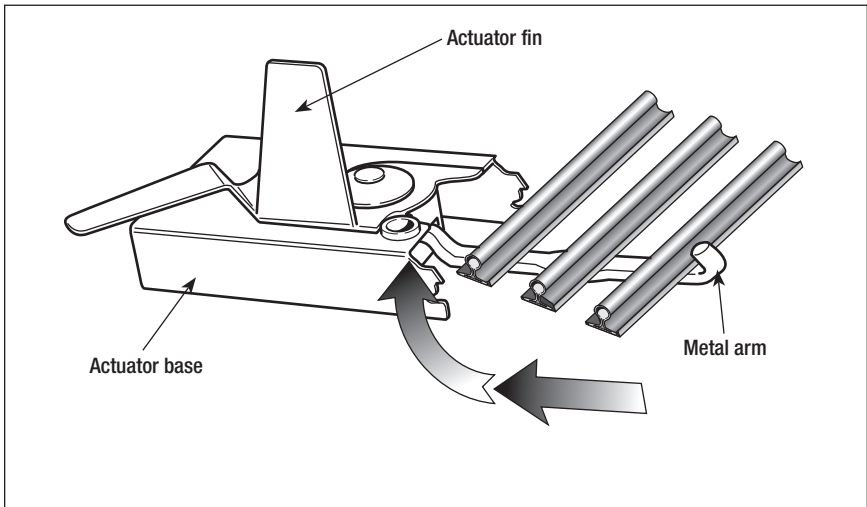


Figure 1. Track actuators

Operating the Burro Crane

Your Burro Crane has several functions, including cab rotation, boom adjustment, and an operating hook. Refer to Figure 2 for the locations of the Burro Crane controls. Your Burro Crane operates best at 9-18 volts (AC).

Operating the Burro Crane (continued)

Moving the unit

To move the unit along the rails, simply apply track power. Increase the voltage to make the unit travel faster. To change directions, pass an actuator that has been positioned along the rails or throw the direction control switch by hand.

Note! The Burro Crane was designed to pull only the two gondolas included with the set. Do not attempt to pull more cars.

Caution! To prevent short circuits, do not allow the hook to touch the rails.

Adjusting the boom

Raise or lower the boom by turning the knob at the back of the cab. Turn the knob clockwise to raise the boom or counter-clockwise to lower the boom.

Rotating the cab

To activate the cab rotation, throw the cab rotation lever forward towards the front of the unit. The Burro Crane will stop moving along the tracks, and the cab will continually oscillate 360 degrees.

Raising and lowering the hook

To raise or lower the hook, throw the cab rotation lever towards the front of the unit. The cab will begin to rotate. Lift up the lever at the back of the cab and move the boom into position. While holding the lever up, the hook will travel up or down. To change the direction of the hook, slide the direction control switch to the opposite position.

Note! You will find that the hook will start traveling upward if you continue to operate the hook past its lowest point. When the hook travels upward and reaches the boom, the clutch mechanism will engage, preventing damage to the string. Throw the direction control switch to the opposite position to lower the hook.

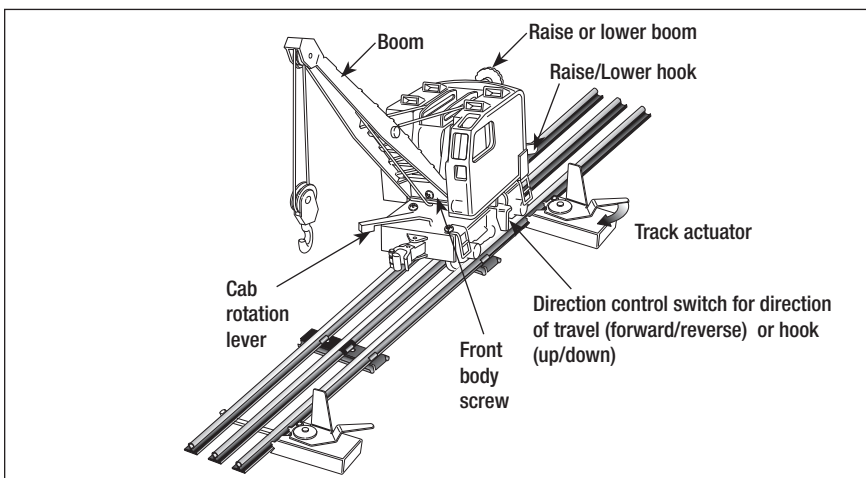


Figure 2. Crane controls

Lubricating your Burro Crane

Your Burro Crane will lead a long and productive life on your railroad with proper care and maintenance. We recommend that you purchase a Lionel Lubrication and Maintenance Kit (6-62927), available from your authorized Lionel dealer. Two basic rules to keep in mind: never over-lubricate (a small amount will do) and avoid getting grease or oil on the wheels, pick-ups, or your track.

Lubricate your Burro Crane when you find that the lubrication points illustrated in Figure 3 appear dry or when you are taking the unit out of prolonged storage. Always remove dust and dirt before lubricating.

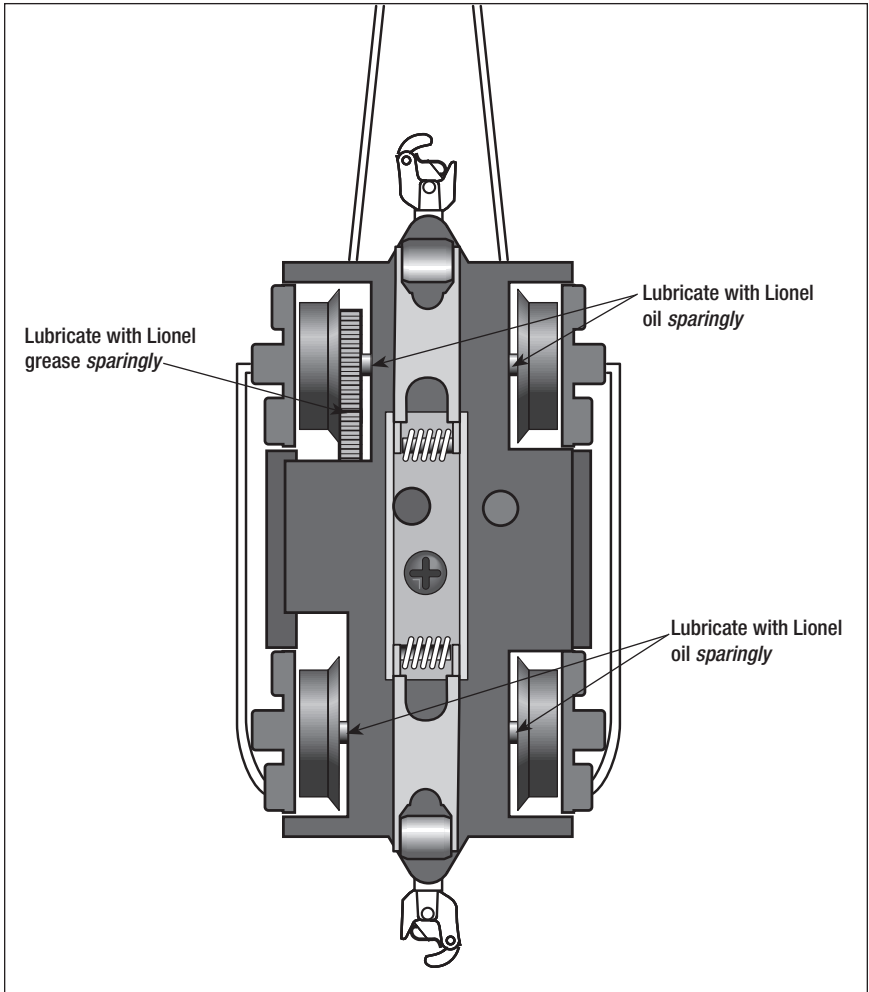


Figure 3. Underside of the Burro Crane

Lubricating the Pullmor motor armature bearings

Your Burro Crane will require the occasional lubrication of its Pullmor motor armature. If you hear excess noise during operation, or if the unit slows down intermittently, you may need to oil the armature bearings. We recommend that you purchase a Lionel Lubrication and Maintenance Kit (6-62927) to properly service your Burro Crane.

1. Remove the two body screws from the cab. Refer to Figure 4 for the location of these screws.

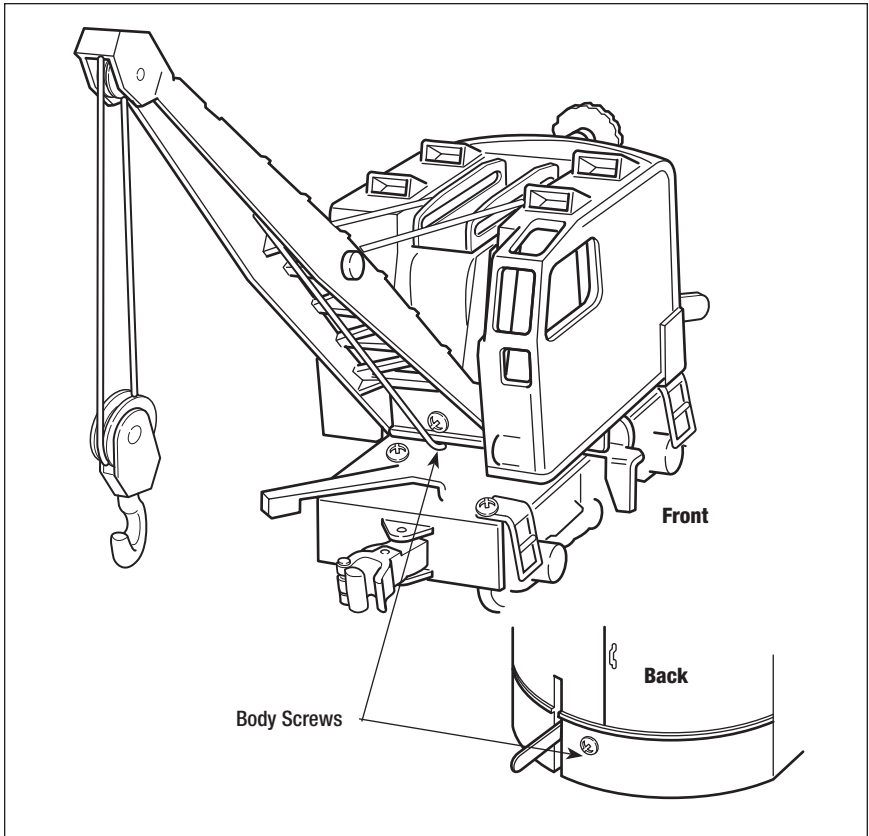


Figure 4. Screw locations

Lubricating the Pullmor motor armature bearings (continued)

2. Lift the body off the metal frame.
3. Remove the set screw from the top of the motor using a $3/64$ ' Allen wrench. This screw is illustrated in Figure 5.
4. Add a small amount (two drops) of Lionel oil (available in the Lubrication and Maintenance Kit, no. 6-62927) to the set screw hole.
5. Using a $3/64$ ' Allen wrench, replace the set screw and check for the proper adjustment. Turn the motor coils by hand while you watch the up and down travel of the armature and brushes. Tighten the set screw until the travel of the brushes and armature is about .010" up and down. This is the thickness of a piece of paper. When the set screw is properly adjusted, the up and down movement is barely noticeable.
6. Replace the body, securing it with the two screws.

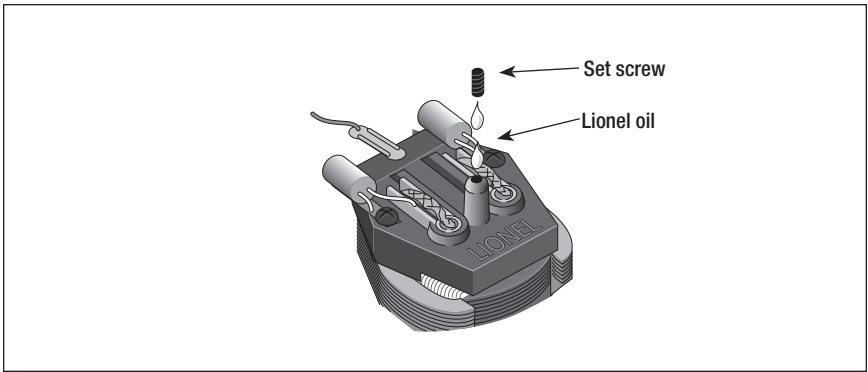


Figure 5. Oiling the Pullmor motor

Replacing the traction tire

Your Burro Crane is equipped with one traction tire. This rubber tire is fitted around one wheel to increase the tractive effort of the Burro Crane.

During the course of normal operation, you may find that the traction tire needs replacement. Due to the complex disassembly required, we recommend that you have this non-warranty service performed at an authorized Lionel Service Center.

Lionel Limited Warranty Policy & Service

This Lionel product, including all mechanical and electrical components, moving parts, motors and structural components, with the exception of LIGHT BULBS & LED's are warranted to the original owner-purchaser for a period of **one year from the original date of purchase** against original defects in materials or workmanship when purchased through a **Lionel Authorized Retailer***.

This warranty does **NOT** cover the following: Normal wear and tear, Light bulbs or LED's, Defects appearing in the course of commercial use, or Damage resulting from abuse/misuse of the product.

Transfer of this product by the original owner-purchaser to another person voids this warranty in its entirety. Modification of this product in any way; visually mechanically or electronically, voids the warranty in its entirety.

Any warranted product which is defective in original materials or workmanship and is delivered by the *original owner-purchaser* (this warranty is non-transferrable) to Lionel LLC or any Lionel Authorized Service Station **MUST** be accompanied by the original receipt for purchase (or copy) from an **Lionel Authorized Retailer***, will at the discretion of Lionel LLC, be repaired or replaced, without charge for parts or labor. In the event the defective product cannot be repaired, and a suitable replacement is not available, Lionel will offer to replace the product with a comparable model (**determined by Lionel LLC**), if available. In the event a comparable model is not available the customer will be refunded the original purchase price (requires proof of purchase from the **Lionel Authorized Retailer*** it was originally purchased). Any products on which warranty service is sought must be sent freight or postage prepaid (Lionel will refuse any package when postage is due). **Transportation and shipping charges are not covered as part of this warranty.**

NOTE: Products that require service that do not have a receipt from an LIONEL AUTHORIZED RETAILER* will be required to pay for all parts required to repair the product (labor will not incur a charge) providing the product is not older than 5 years from date of manufacture and is within 1 year from date of purchase. A copy of the original sales receipt is required.

In no event shall Lionel LLC be held liable for incidental or consequential damages.

Some states do not allow the exclusion or limitation of incidental or consequential damages, so the above exclusion may not apply to you.

This warranty gives you specific legal rights and you may have other rights which vary from state to state.

Instructions for Obtaining Service

If service for this Lionel LLC product is required; bring the item, along with your DATED sales receipt and completed warranty information (at the bottom of this page) to the nearest Lionel Authorized Service Station. Your nearest Lionel Service Station can be found by calling 1-800-4-LIONEL or by accessing the website at www.lionel.com.

If you prefer to send your Lionel product directly to Lionel, for repair you must **FIRST** call 586-949-4100 extension 9105 or FAX Lionel at 586-949-5429 or write to Customer Service, 50625 Richard W. Blvd, Chesterfield, MI 48051-2493. Please have the 6-digit Lionel product number, the date of original purchase, the dealer where the item was purchased and what seems to be the problem. You will receive a Verbal return authorization (RA) number to ensure your merchandise will be properly tracked and handled upon receipt at Lionel LLC.

Once you have your Return Authorization (RA) number, make sure the item is packed in its original Styrofoam inner container which is placed inside the original outer display box (this will help prevent damage during shipping and handling). This shipment **MUST** be prepaid and we recommend that it be insured with the carrier of your choice.

Please make sure you have followed all of the above instructions carefully before returning any merchandise for service. You may choose to have your product repaired by one of Lionel LLC's Authorized Service Stations after its warranty has expired. A reasonable service fee should be expected once the product warranty has expired.

Warranty Information

Please complete the information below and keep it, along with your **DATED ORIGINAL SALES RECEIPT**. You **MUST** present this form **AND** your **DATED SALES RECEIPT** when requesting warranty service.

*A complete listing of Lionel Authorized retailers can be found by calling 1-800-4-LIONEL or by visiting our website at www.lionel.com.

Products that are more than 5 years old, from date of manufacture, are not applicable for warranty coverage, even if they have never been sold prior to this date. (Under no circumstance shall any components or labor be provided free of charge.)

Name _____

Address _____

Place of Purchase _____

Date of Purchase _____

Product Number _____

Product Description _____

