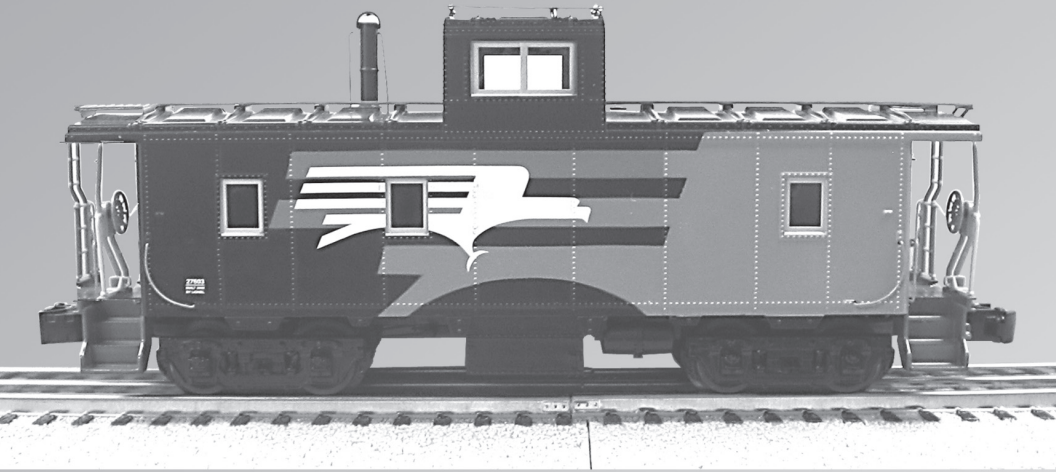




71-7690-250

11/08



Lionel
CA-4 Caboose
Owner's Manual

Congratulations

Congratulations on your purchase of the Lionel C A-4 Caboose! This car features a fully detailed, lighted interior, separately applied metal body and underframe details, and operating smoke unit. The CA-4 Caboose is perfect for any O-27 or O gauge layout.

Note! Do not operate the car without smoke fluid if the smoke unit switch is in the ON position. See page 4.

Table of contents

Operating the couplers	3
Adding smoke fluid to your caboose's smoke unit	4
Switching your smoke generator ON or OFF	5
Replacing the interior lamps	6
Notes	7
Limited Warranty/Lionel Service	8

The following Lionel marks may be used throughout this instruction manual and are protected under law. All rights reserved.

Lionel®, *TrainMaster®*, *Odyssey®*, *RailSounds®*, *CrewTalk™*, *TowerCom™*, *DynaCbuff™*, *StationSounds™*, *Pullmor®*, *ElectroCoupler™*, *Magne-Traction®*, *CAB-1® Remote Controller*, *PowerMaster®*, *Lionel ZW®*, *ZW®*, *PowerHouse®*, *TMCC®*, *Lionelville™*, *Lockon®*, *Wireless Tether™*, *LionMaster®*, *FatBoy™*, *American Flyer®*, *TrainSounds™*, *PowerMax™*, *LEGACY™*, *PowerMax™ Plus*, *Odyssey II™*, *LEGACY RailSounds™*

The name FasTrack® is used with permission from Pitsco, Inc.

Operating the couplers

To operate the couplers by hand, slide the uncoupling tab on the side of the coupler shaft back towards the car. Do not push down on the tab. To operate the couplers with a Remote-Control Track section (available separately, 6-65530 for O gauge; 6-12746 or 6-65149 for O-27; or 6-12020 for FasTrack layouts), simply position the uncoupling trigger over the magnetic disc on the Remote-Control Track section and press UNCOUPLE on the controller. Refer to Figure 1 for the locations of the uncoupling tab and trigger.

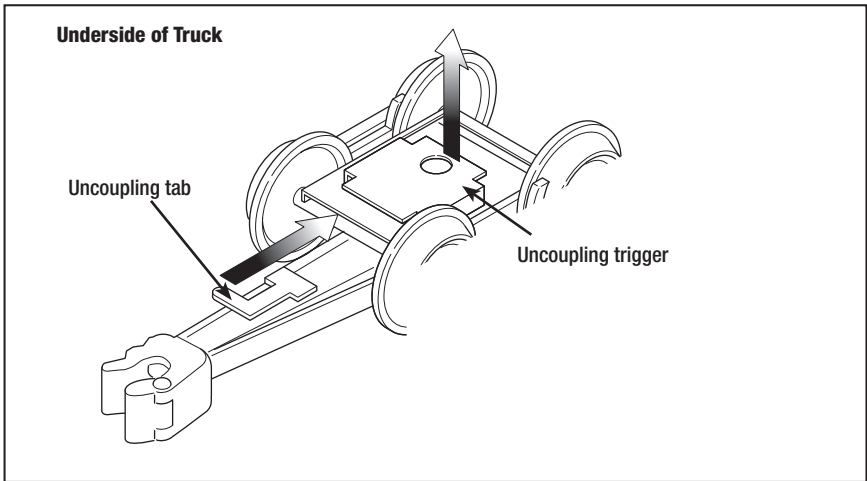


Figure 1. Uncoupling tab and trigger locations

Adding smoke fluid to your caboose's smoke unit

Your caboose is equipped with a smoke generator that produces safe, clean, white smoke during operation. The smoke generator requires the periodic addition of Lionel smoke fluid in order to function. Swing the hood at the top of the stack out of the way before adding smoke fluid as illustrated in Figure 2. A small bottle of smoke fluid is included with this car. Press down and unscrew the cap, then pierce the end of the tube with a pin. Add five to eight drops of smoke fluid directly into the smokestack. Additional smoke fluid (6-02920) is available at your authorized Lionel dealer.

Caution! Always keep a small amount of smoke fluid in the smoke generator when the smoke unit is on. Operating your car without smoke fluid will damage the smoke generator.

Caution! When the smoke unit switch is in the ON position, always keep a small amount of smoke fluid in the jet snow blower's smoke generator; the generator's element can become damaged if operated without smoke fluid. This is particularly true if your jet snow blower sits for an extended period of time without smoke fluid in the generator.



Figure 2. Adding smoke fluid

Switching your smoke generator ON or OFF

As illustrated in Figure 3, the SMOKE switch is located on the underside of your caboose. Sliding this switch to the ON position will activate the smoke generator. Be sure that you have added smoke fluid when the switch is in the ON position. Slide the switch to the OFF position to turn off the smoke unit.

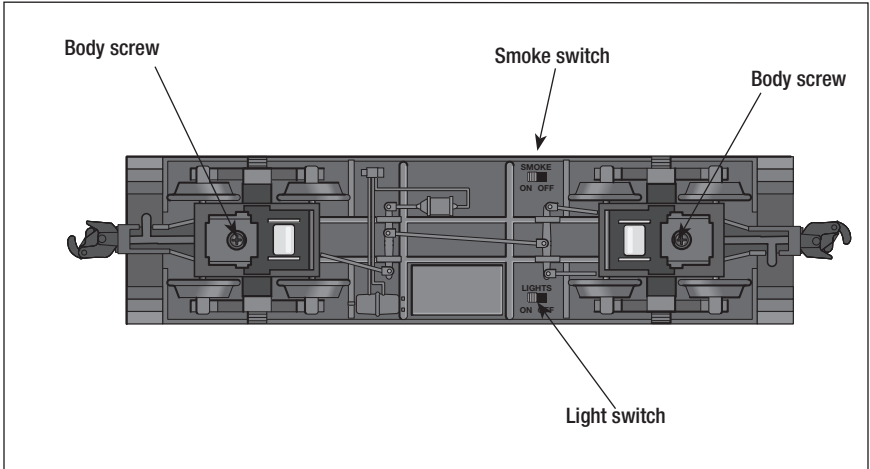


Figure 3. Smoke switch and screw locations

Replacing the interior lamps

Your caboose is lighted by three interior lamps, Lionel part no. 630-9134-300. During the course of normal operations, these lamps may require replacement. Please contact your authorized Lionel Service center if your lamp requires replacement.

Limited Warranty/Lionel Service

This Lionel product, including all mechanical and electrical components, moving parts, motors and structural components, except for light bulbs, is warranted to the original consumer-purchaser, for **one year** against original defects in materials or workmanship when purchased through an authorized Lionel merchant.

This warranty does NOT cover normal wear and tear, light bulbs, defects appearing in the course of commercial use, or damage resulting from abuse or misuse of the product by the purchaser. Transfer of this product by the original consumer-purchaser to another person voids this warranty. Modification of this product voids this warranty.

Any warranted product which is defective in original materials or workmanship and is delivered by the original consumer-purchaser to Lionel L.L.C. or an authorized Lionel L.L.C. Service Center, together with proof of original purchase will, at the option of Lionel L.L.C., be repaired or replaced, without charge for parts or labor. In the event the defective product cannot be repaired, and a replacement is not available, a refund of the original purchase price will be granted. Any products on which warranty service is sought must be sent freight or postage prepaid, as transportation and shipping charges are not covered by the warranty.

In no event shall Lionel L.L.C. be liable for incidental or consequential damages.

Some states do not allow the exclusion or limitation of incidental or consequential damages, so the above exclusion may not apply to you.

This limited warranty gives you specific legal rights, and you may have other rights which vary from state to state.

Instructions for Obtaining Service

If service for this Lionel L.L.C. product is required, bring the item, along with your dated sales receipt and completed warranty information to the nearest Authorized Lionel Service Center. Your nearest Lionel Service Center can be found by calling 1-800-4-Lionel, or by accessing our Website at www.lionel.com.

If you prefer to send your product back to Lionel L.L.C. for repair in Michigan, you must first call 586-949-4100 or FAX 586-949-5429, or write to Customer Service, P.O. Box 748, New Baltimore, MI 48047-0748, stating what the item is, when it was purchased and what seems to be the problem. You will be sent a return authorization letter and label to ensure your merchandise will be properly handled upon receipt.

Once you have received your return authorization and label, make sure that the item is packed to prevent damage during shipping and handling. We suggest that you use the product's original packaging. This shipment must be prepaid and we recommend that it be insured.

Please make sure you have followed all of the above instructions carefully before returning any merchandise for service. You may choose to have your product repaired by one of our Authorized Lionel Service Centers after its warranty has expired. A reasonable service fee will be charged.

Warranty Information

Please complete the information below and keep it, along with your dated sales receipt. You must present this and your dated sales receipt when requesting warranty service.

Name _____

Address _____

Place of Purchase _____

Date of Purchase _____

Product Number _____



© 2004 LIONEL L.L.C., CHESTERFIELD, MI 48051-2493
UNITED STATES OF AMERICA
PRINTED IN CHINA