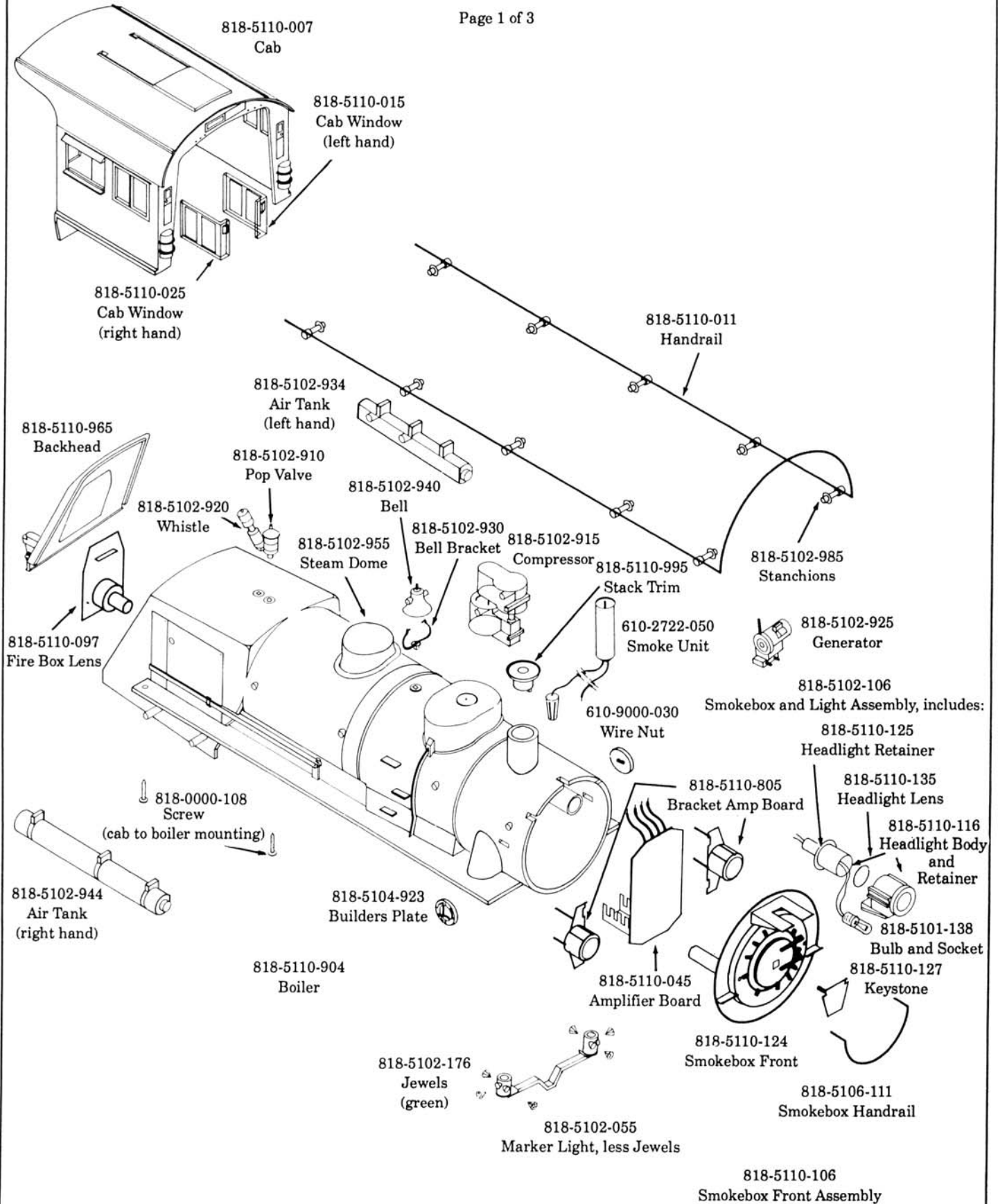


8-85110 LARGE SCALE 4-4-2 LOCOMOTIVE PENN. E6 with RailSounds

Page 1 of 3



**8-85110 LARGE SCALE
4-4-2 LOCOMOTIVE PENN. E6
with RailSounds**

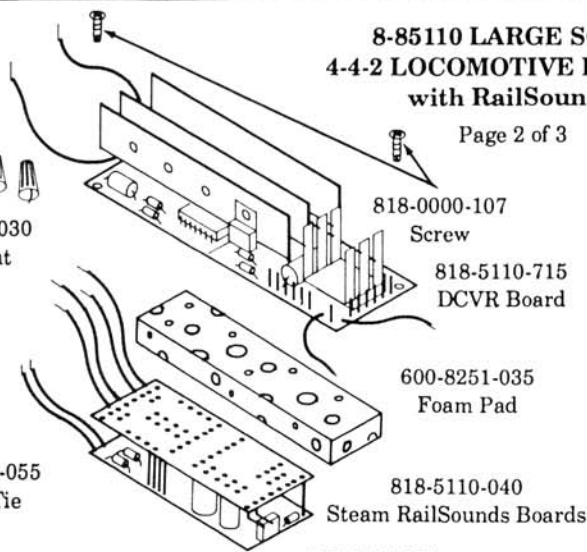
Page 2 of 3

610-9000-030
Wire Nut

610-8301-055
Cable Tie

600-8352-300
Lamp and
Socket
Assembly

818-5110-720
Bracket

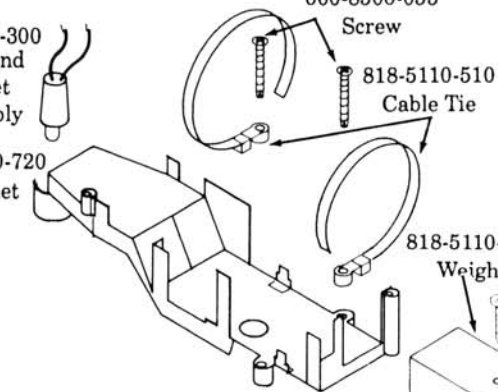


600-8251-035
Foam Pad

818-5110-040
Steam RailSounds Boards

600-8506-055
Screw

818-5110-510
Cable Tie



818-0000-101
Screw

818-5102-035
Cab Floor

818-5110-506
Frame

818-0000-108
Screw
(frame to cab floor mounting)

625-3664-303
On/Off Switch

818-0000-113 Screw
(chassis to boiler)

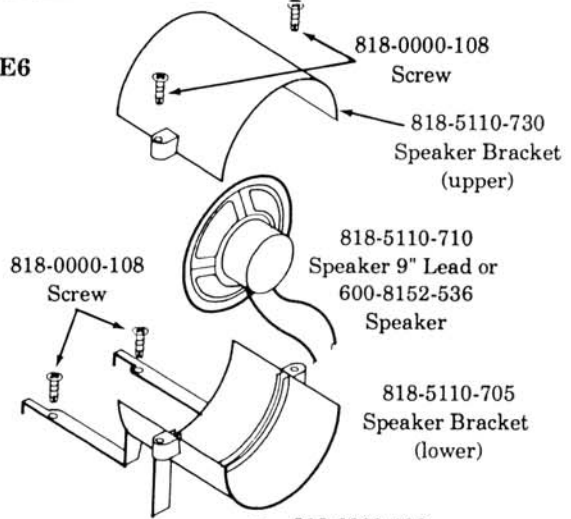
600-0348-187 Screw (on/off switch)

818-5102-536
Crank Arm and Yoke Assembly
(right hand)

818-0000-107
Screw
(crank arm mounting)

818-5102-580
Connecting Rod

818-0000-102
Screw
(EEC crank mounting)



818-0000-108
Screw

818-5110-730
Speaker Bracket
(upper)

818-5110-710
Speaker 9" Lead or
600-8152-536
Speaker

818-5110-705
Speaker Bracket
(lower)

818-0000-123
Screw

818-5110-162
Contact Switch

818-5110-725
Switch Bracket

818-5110-526
Pulley Cam Shaft

818-7200-511
O-Ring Drive Belt

818-5101-052
Screw

818-0000-117
Screw
(weight mounting)

818-5102-580
Connecting Rod or Side Rod (side rod mounting)
(left hand or right hand)

818-5102-636
Drive Rod and Crosshead Assembly
(left hand)

818-5110-800
Volume Control Switch

691-8007-170
Washer

818-5110-645
Weight

691-8007-180
Nut

625-3664-303
Switch Steam
Sound

818-0000-107
Screw

818-0000-102
Screw

818-0000-107
Screw Mounts
(crosshead guide)

818-5102-545
Crosshead Guide (left hand)

818-5102-526
Crank Arm and Yoke Assembly
(left hand)

818-5106-531
Reversing Rod

818-5102-555
Crosshead Guide (right hand)

818-0000-107
Screw
(crosshead guide mounting)

818-5102-626
Drive Rod and Crosshead Assembly
(right hand)

818-5102-614
Steam Chest

818-5101-052
Screw (connecting rod mounting)

**8-85110 LARGE SCALE 4-4-2 LOCOMOTIVE PENN. E6
with RailSounds**

818-5106-400
Trailing Truck Assembly

