

# LARGE SCALE 0-4-0 LOCOMOTIVES

8-5000 Rail Scope

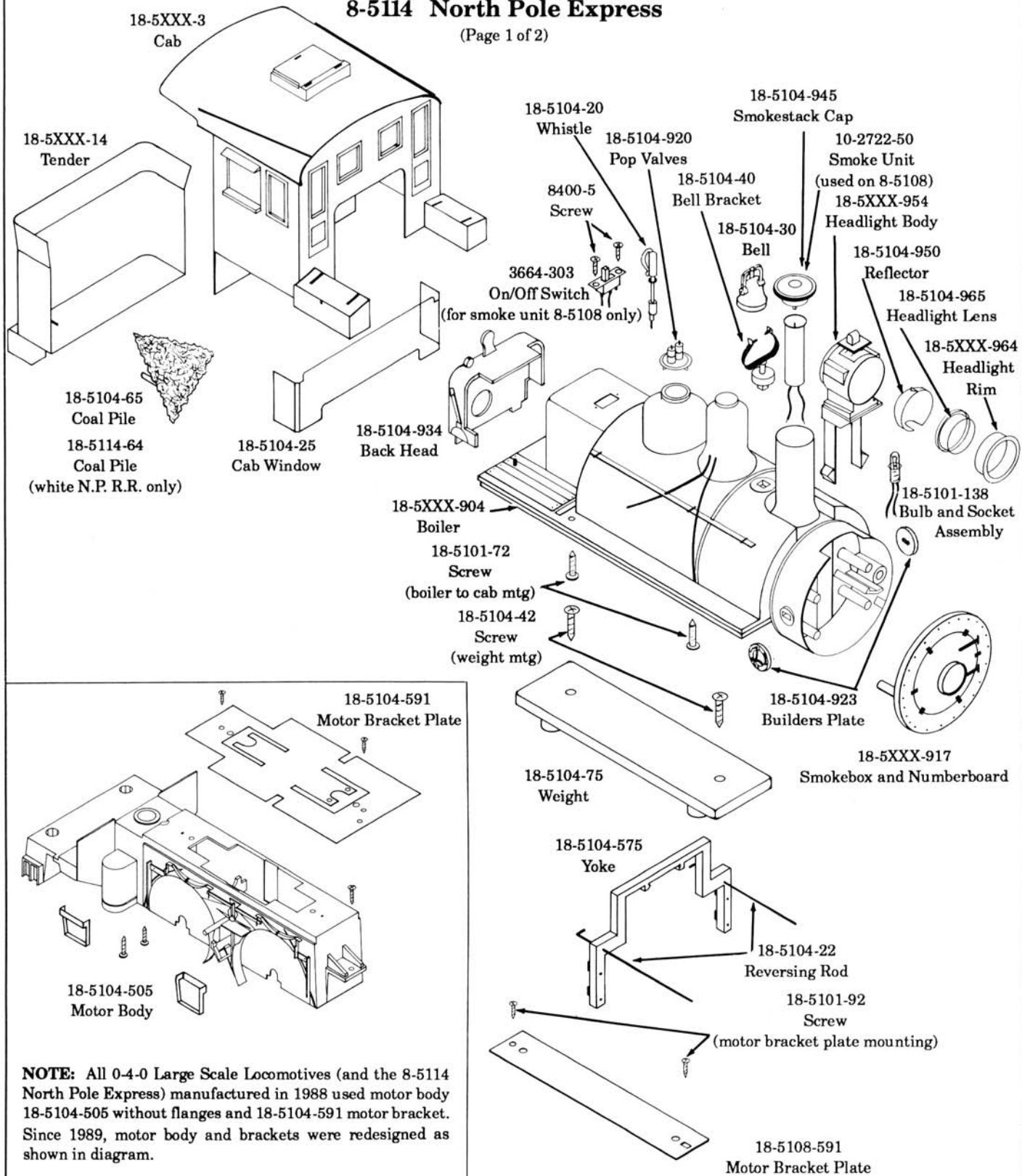
8-5104 Santa Fe

8-5105 Penn

8-5108 B & O

8-5114 North Pole Express

(Page 1 of 2)



**NOTE:** All 0-4-0 Large Scale Locomotives (and the 8-5114 North Pole Express) manufactured in 1988 used motor body 18-5104-505 without flanges and 18-5104-591 motor bracket. Since 1989, motor body and brackets were redesigned as shown in diagram.

**LARGE SCALE 0-4-0 LOCOMOTIVES**

**8-5000 Rail Scope**

**8-5104 Santa Fe**

**8-5105 Penn**

**8-5108 B & O**

**8-5114 North Pole Express**

(Page 2 of 2)

