



71-2911-251



Quick Start

W

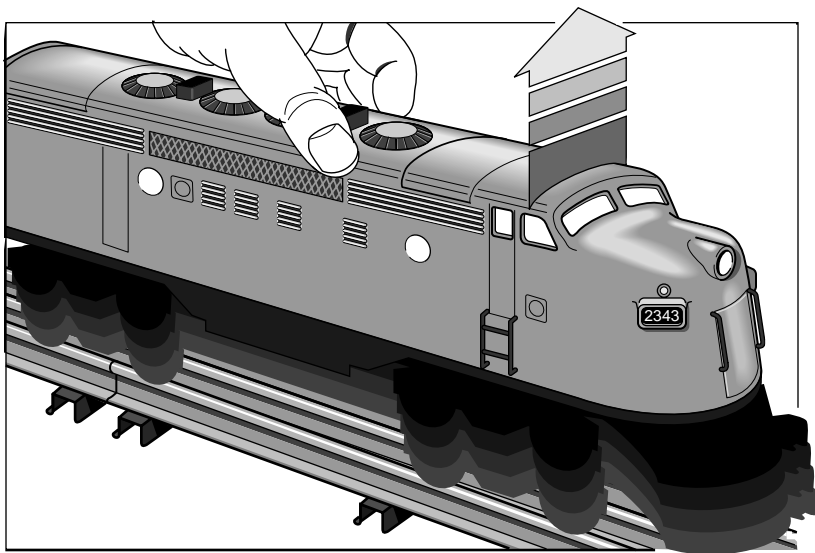
elcome to Lionel TrainMaster Command!

Everything you've ever wanted from model trains—remote locomotive feature control, advanced sound technology, and most important, multiple-train opera-

tion on the same track, at the same time—is now *yours*. Follow these instructions and you'll be running TrainMaster Command in 10 minutes.

1

Get your railroad ready

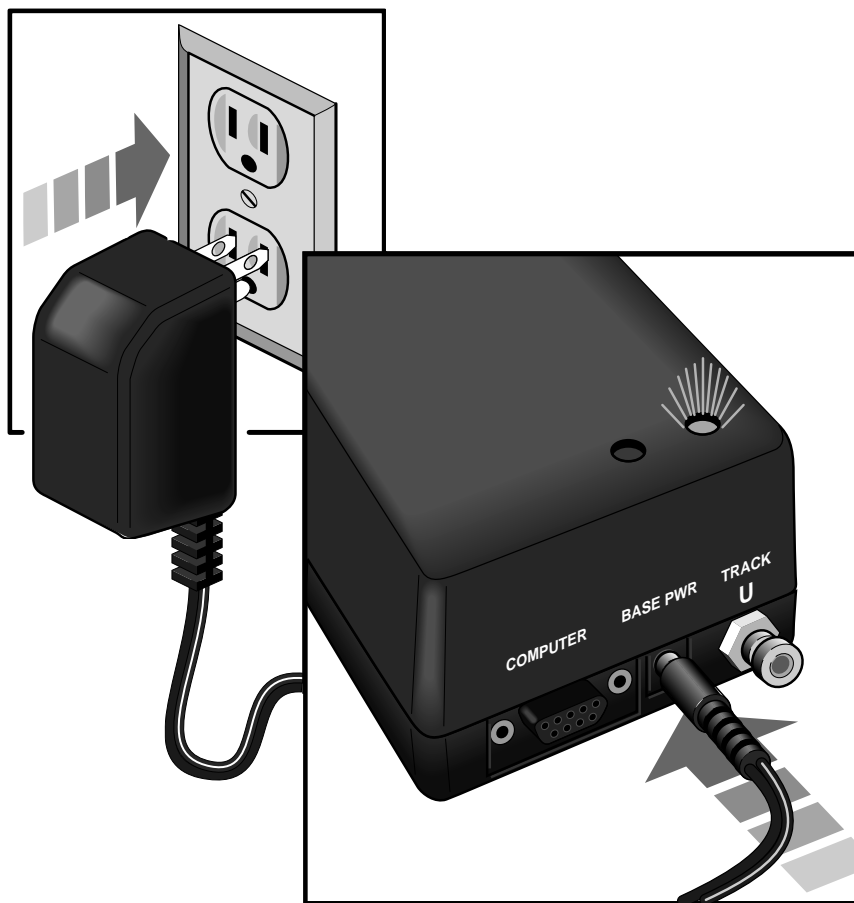


Lionel Command-equipped locomotives run best with maximum track voltage. While you're learning the basics of TrainMaster Command, remove your conventional locomotives from the track

or position them on unpowered sidings. Once you've experienced digital operation, we'll show you how to run every locomotive in your fleet with Lionel TrainMaster Command.

Plug in the Command Base

2

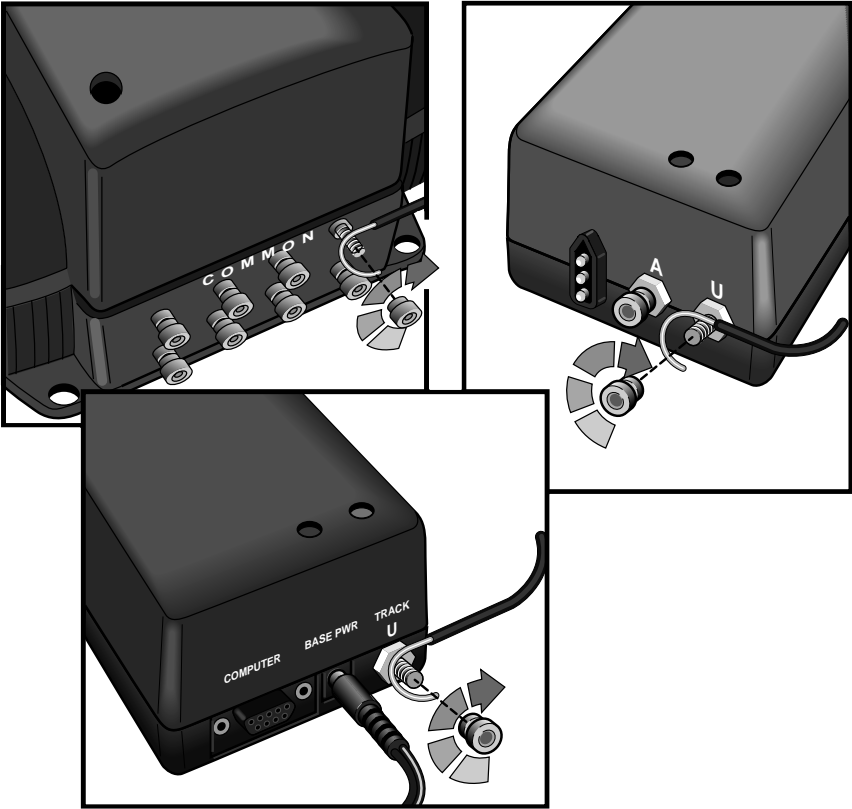


Your Command Base is a digital communication device that “talks” to the Liontech Command reverse units inside your Command-equipped Lionels. Plug the Command Base’s wallpack into a

properly grounded wall outlet (110 volts, 60 cycles). Next, plug its lead into the Base power input jack; the Base’s green light will illuminate.

3

Connect the Base communication wire



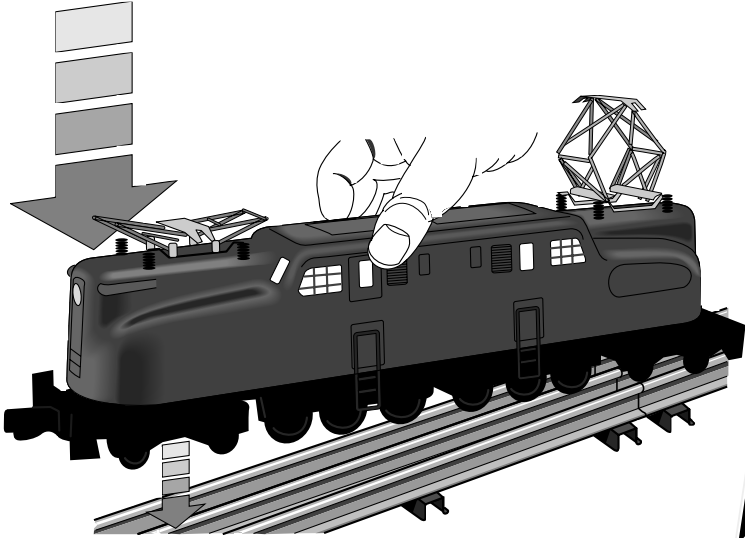
Connect one end of a wire to the Command Base binding post. Connect the other end to *either*:

- the U (common) binding post on ALL PowerMaster(s)/Lionel ZW transformer(s) powering your Lionel railroad; *or*
- the outside rail(s)* of your three-rail track.

* If you use Lionel sectional track, connect the wire to one outside rail. If you use hi-rail track, connect the wire to both outside rails.

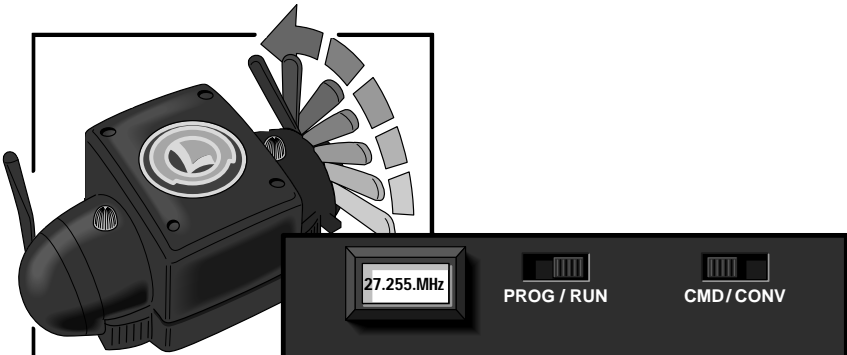
4

Put your Command-equipped Lionel on track



5

Power up!

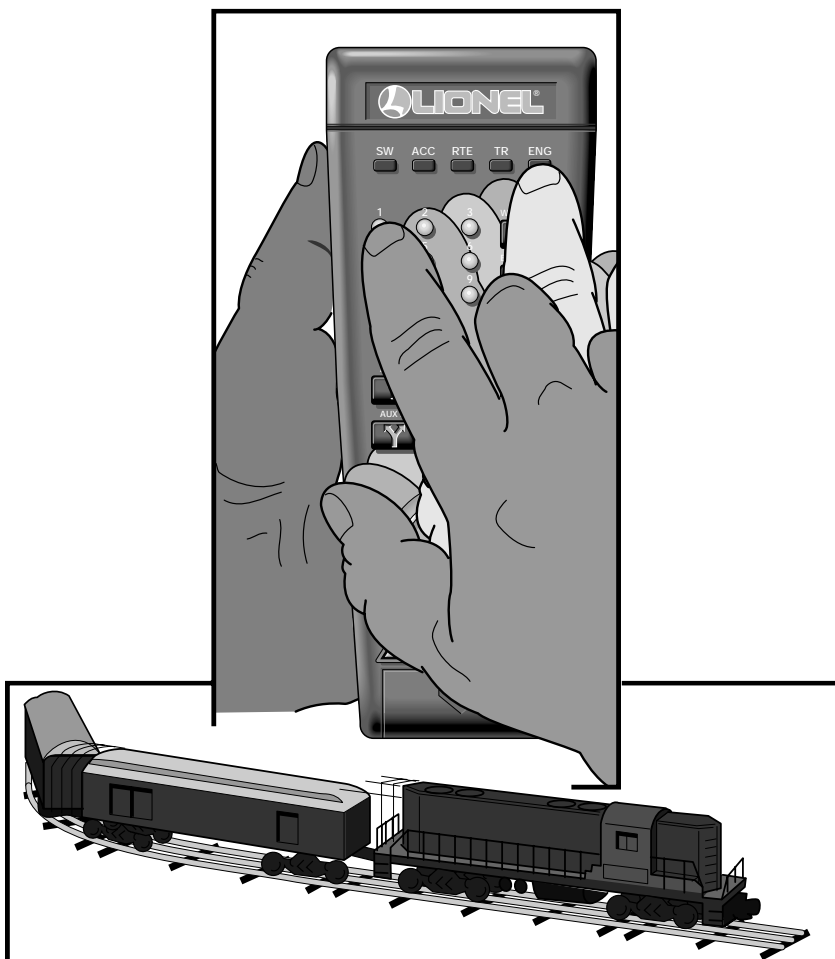


If you use a Lionel ZW transformer to power your railroad, set output to maximum. If you use PowerMasters, slide all CMD/CONV

switches to the CMD setting and turn on PowerHouse. Your Command-equipped Lionel will light up; it's ready to run.

6

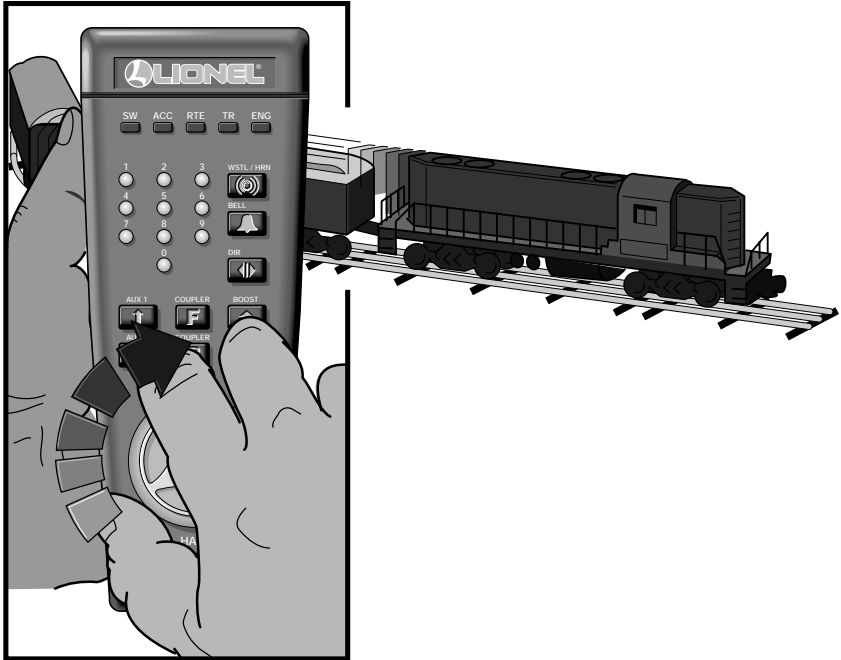
Address your Command-equipped Lionel



Get your Command-equipped Lionel into action! Using your CAB-1 remote, press ENG, 1 on the numeric keypad, and turn the

Circle-L throttle. Your Lionel's Railsounds II system will roar into life, and the locomotive will move out.

You're in control 7



Freedom of control is yours. Choose your command: throttle up or down; press WSTL/HRN and BELL to hear the whistle/horn and bell; press BRAKE to decelerate or stop; press DIR once to automatically stop your locomotive and reverse its direction—just throttle up to head out in the opposite direction.

...and these are just the basics!

To learn much more about TrainMaster Command, please turn to the *Complete Guide to Command Control* also included with your Command Base.

Welcome to Lionel TrainMaster Command, the operational standard for Lionel railroading in the 1990s and beyond. Designed for the future by Lionel Trains and Liontech.



© 1995 Lionel Trains Inc. Lionel, Magne-Traction, Pullmor, and TrainMaster are registered trademarks and Command, PowerMaster, PowerHouse, ZW, and Railsounds II are trademarks of LTI.