

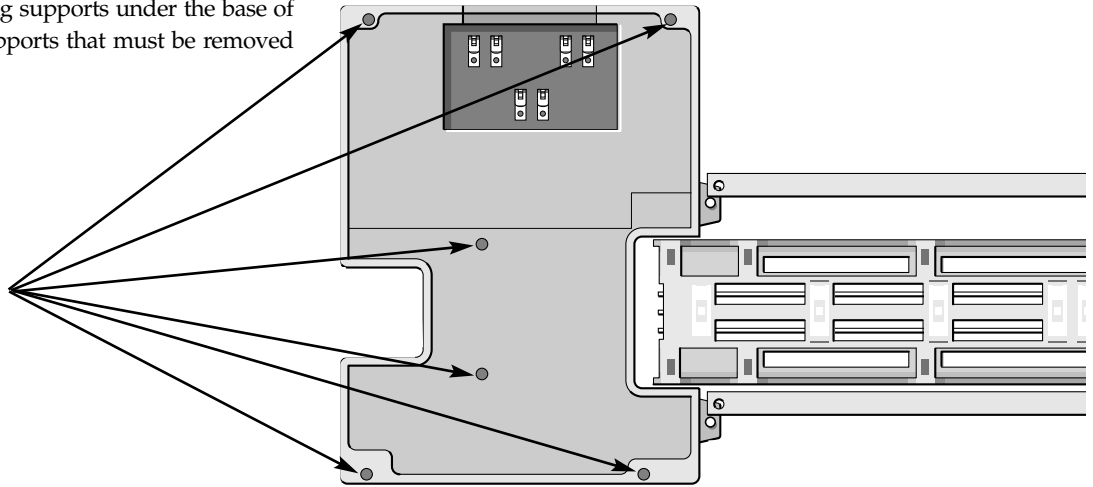


Lionel 313 BASCULE BRIDGE

Installation of your bascule bridge "027" gauge

Note we have added two more mounting supports under the base of the bridge, so there is a total of six supports that must be removed before installation on a "027" gauge layout.

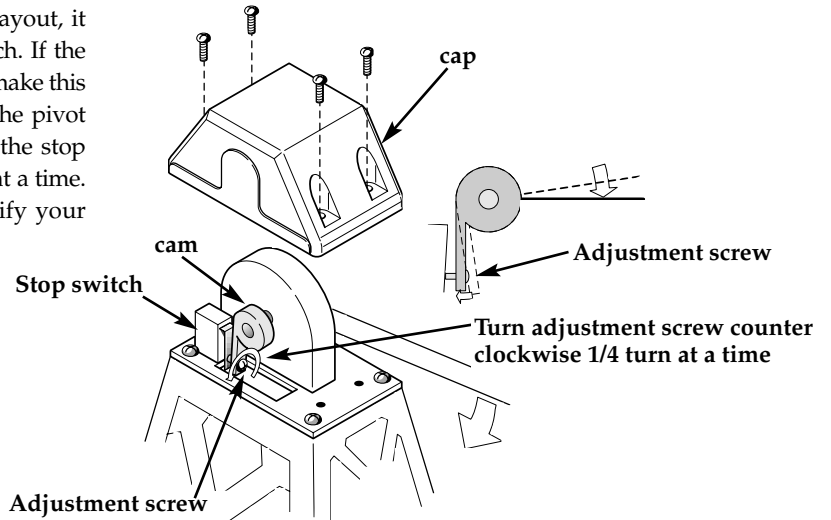
For "027" gauge layouts, remove these mounting supports



Trouble Shooting your Lionel 313 BASCULE BRIDGE

Travel adjustment to lower the bascule bridge

Note If you are installing your bridge on an "027" gauge layout, it may be necessary to adjust the bridge's internal stop switch. If the bridge does not lower all the way and is not resting on the pins, make this adjustment. First remove the four screws holding the cap on the pivot point of the bridge (shed side). Remove the cap. To **LOWER** the stop position, turn the adjustment screw counter clockwise 1/4 turn at a time. **HOLD THE CAP IN PLACE** when running the bridge to verify your adjustment



Travel adjustment to raise the bascule bridge

If the bridge lowers and does not switch off before the clutch activates, make this adjustment. First remove the four screws holding the cap on the pivot point of the bridge (shed side). Remove the cap. To **RAISE** the stop position, turn the adjustment screw clockwise 1/4 turn at a time. **HOLD THE CAP IN PLACE** when running the bridge to verify your adjustment

