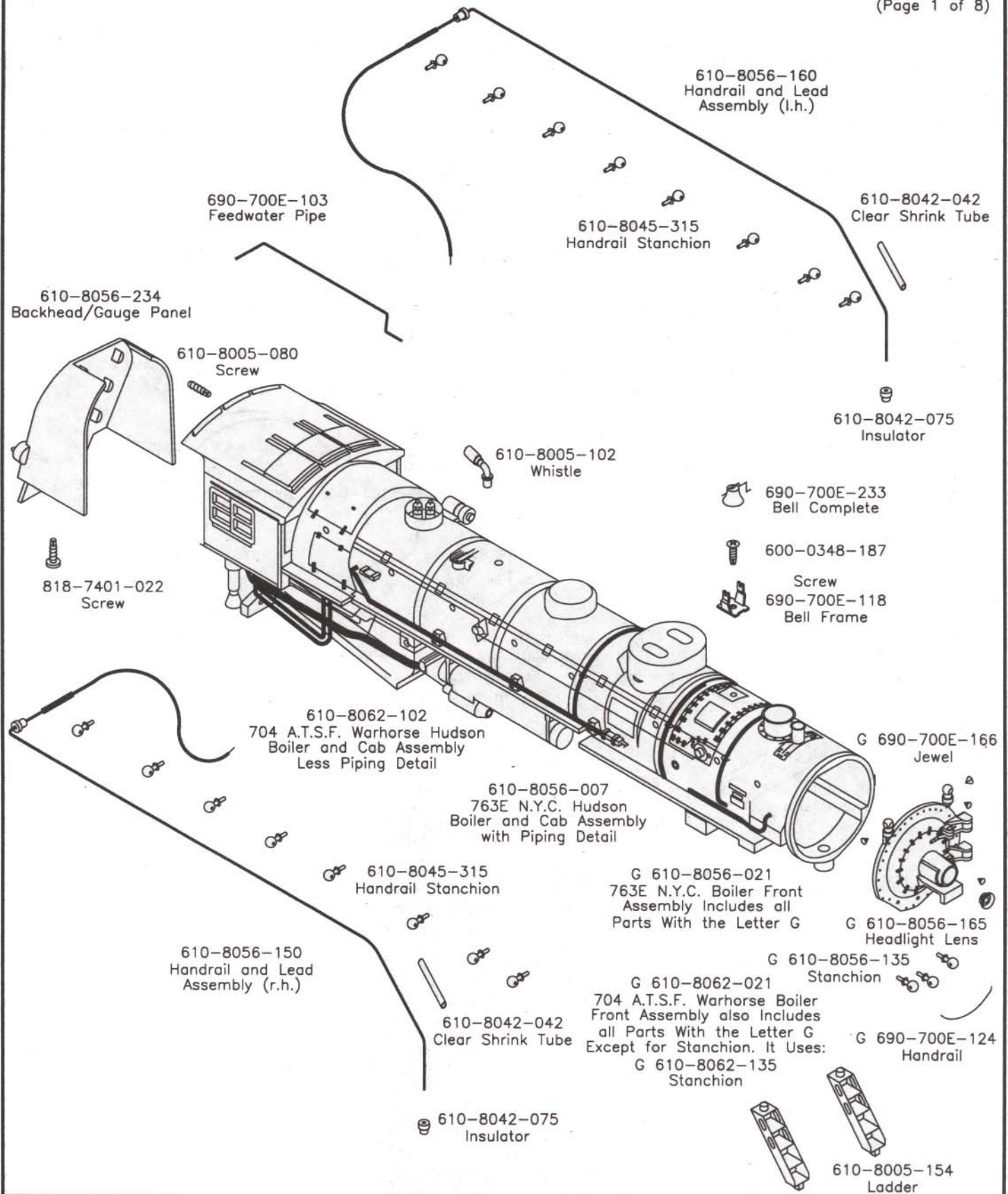
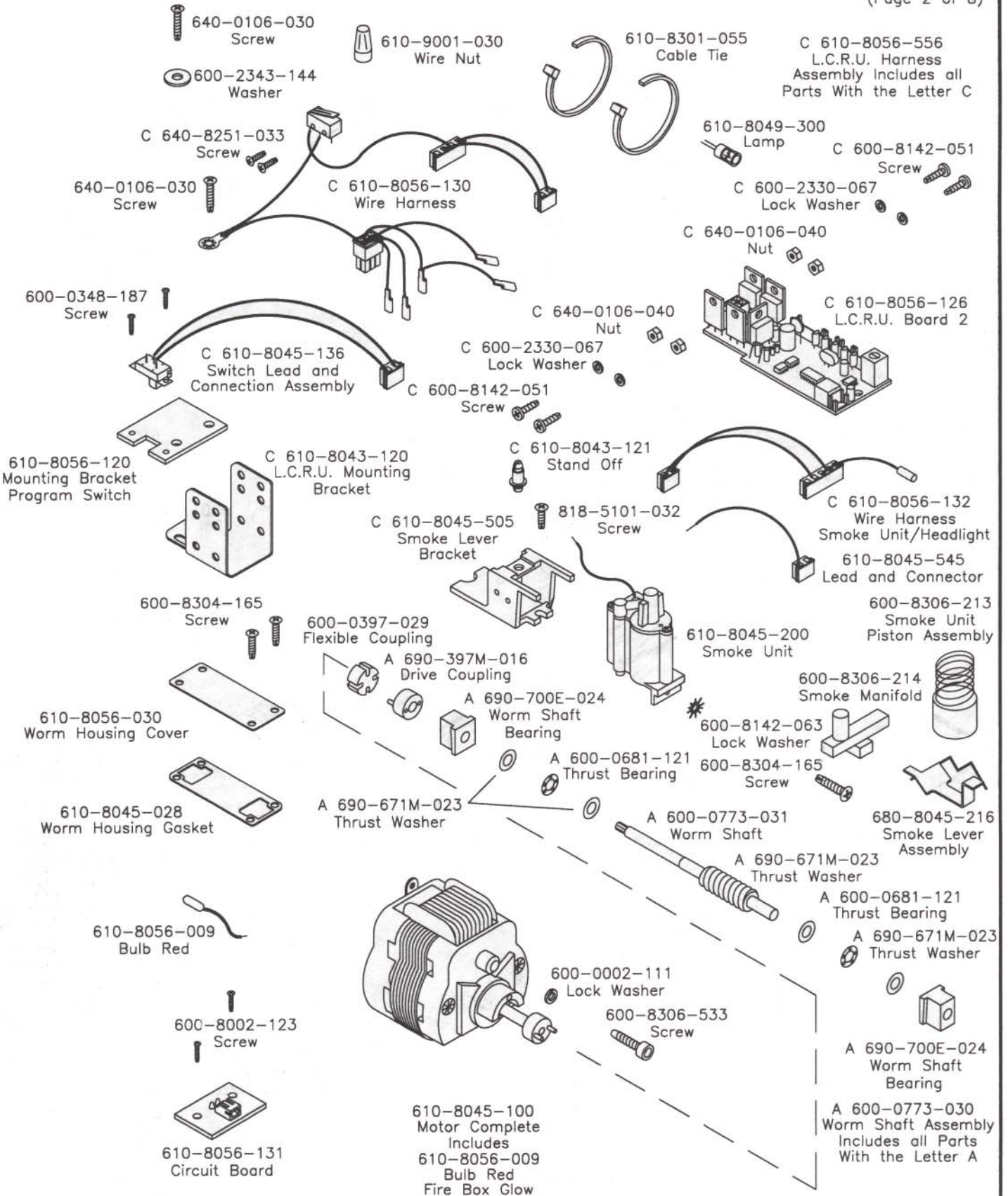


610-8056-001 763E N.Y.C. J1-E HUDSON LOCOMOTIVE
 610-8062-001 704 A.T.S.F. WARHORSE HUDSON LOCOMOTIVE

(Page 1 of 8)

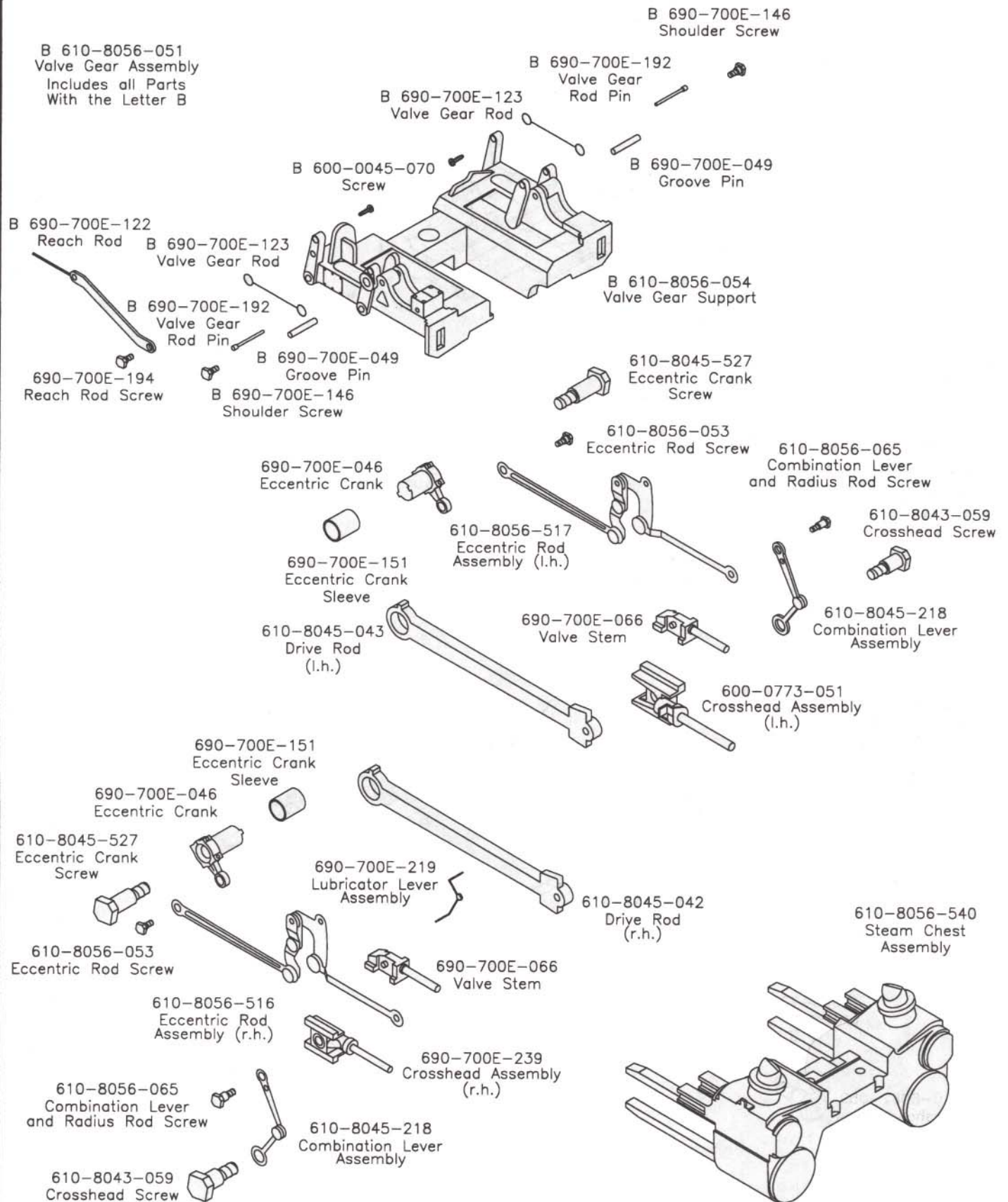


610-8056-001 763E N.Y.C. J1-E HUDSON LOCOMOTIVE
 610-8062-001 704 A.T.S.F. WARHORSE HUDSON LOCOMOTIVE



610-8056-001 763E N.Y.C. J1-E HUDSON LOCOMOTIVE

(Page 3 of 8)



610-8062-001 704 A.T.S.F. WARHORSE HUDSON LOCOMOTIVE

(Page 4 of 8)

W 610-8062-051
Valve Gear Assembly
Includes all Parts
With the Letter W

610-8045-053
Eccentric Rod Screw

W 610-8045-051
Eccentric Rod

W 610-8062-133
Valve Gear
Connection Rod L.H.
W 610-8045-054
Rivet

W 610-8062-054
Valve Gear Support

W 690-700E-049
Groove Pin

W 690-700E-049
Groove Pin

W 610-8045-051
Eccentric Rod
610-8045-053
Eccentric Rod Screw

W 610-8062-132
Valve Gear
Connection Rod R.H.
W 610-8045-054
Rivet

610-8045-527
Eccentric Crank
Screw

690-700E-046
Eccentric Crank

690-700E-151
Eccentric Crank
Sleeve

690-700E-151
Eccentric Crank
Sleeve

690-700E-046
Eccentric Crank

610-8045-527
Eccentric Crank
Screw

610-8045-043
Drive Rod
(l.h.)

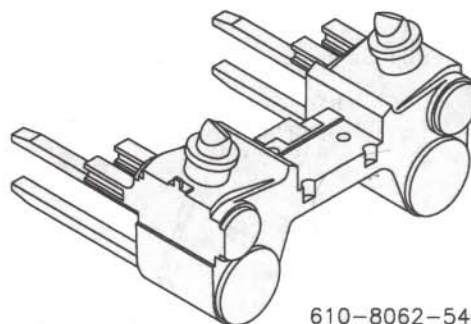
610-8062-059
Crosshead Screw

600-0773-051
Crosshead Assembly
(l.h.)

610-8045-042
Drive Rod
(r.h.)

690-700E-239
Crosshead Assembly
(r.h.)

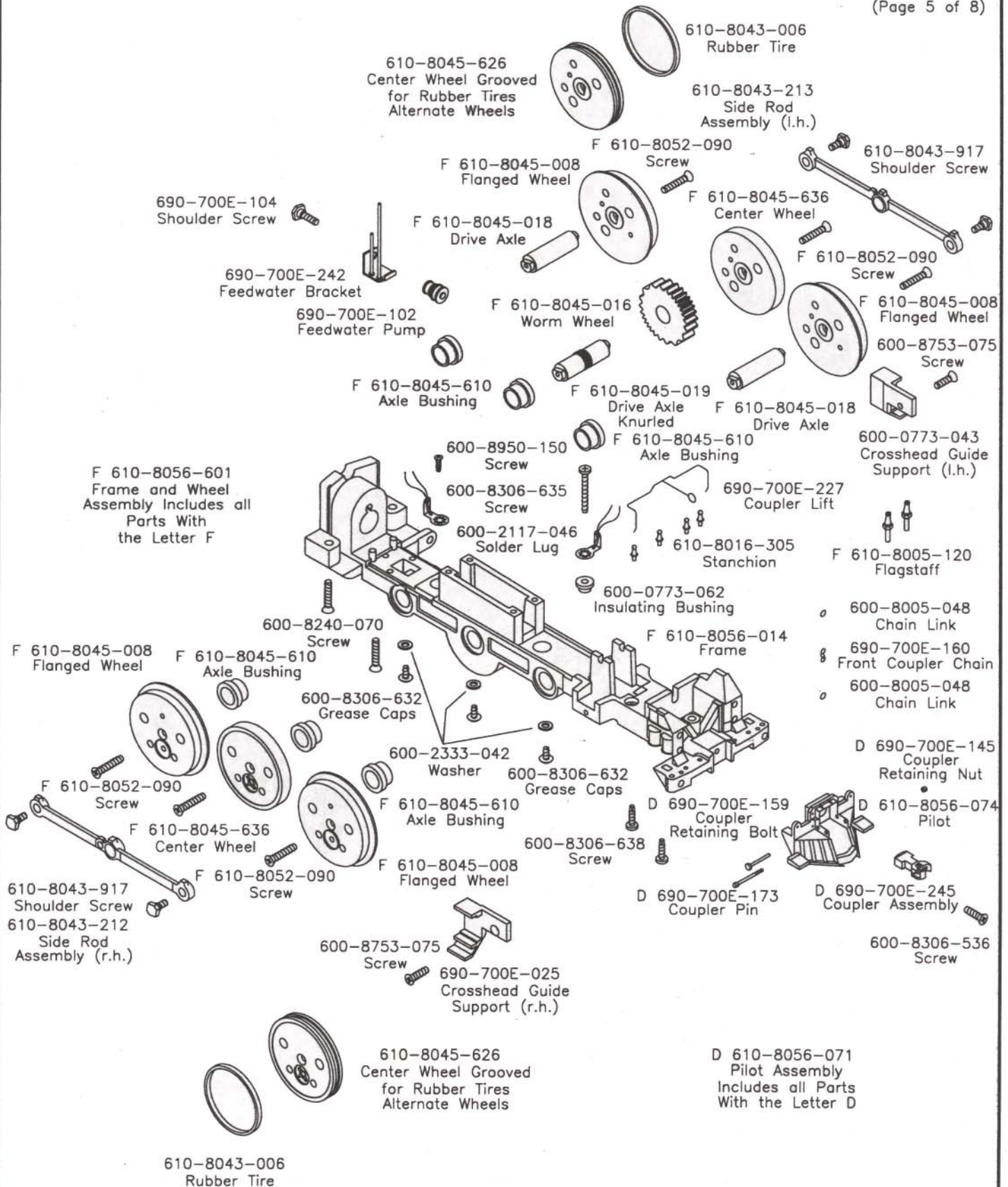
610-8062-059
Crosshead Screw



610-8062-540
Steam Chest
Assembly

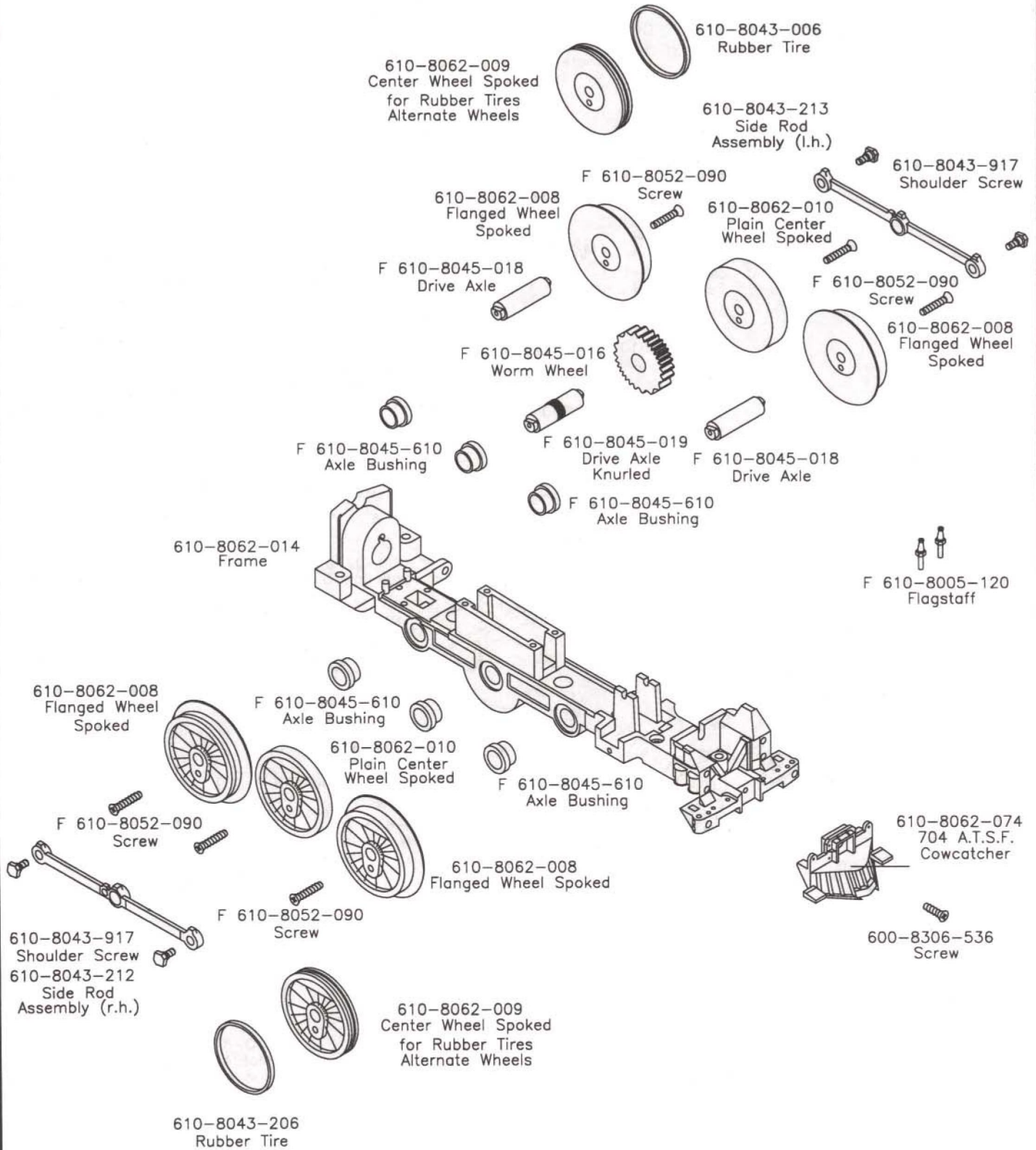
610-8056-001 763E N.Y.C. J1-E HUDSON LOCOMOTIVE
 610-8062-001 704 A.T.S.F. WARHORSE HUDSON LOCOMOTIVE

(Page 5 of 8)

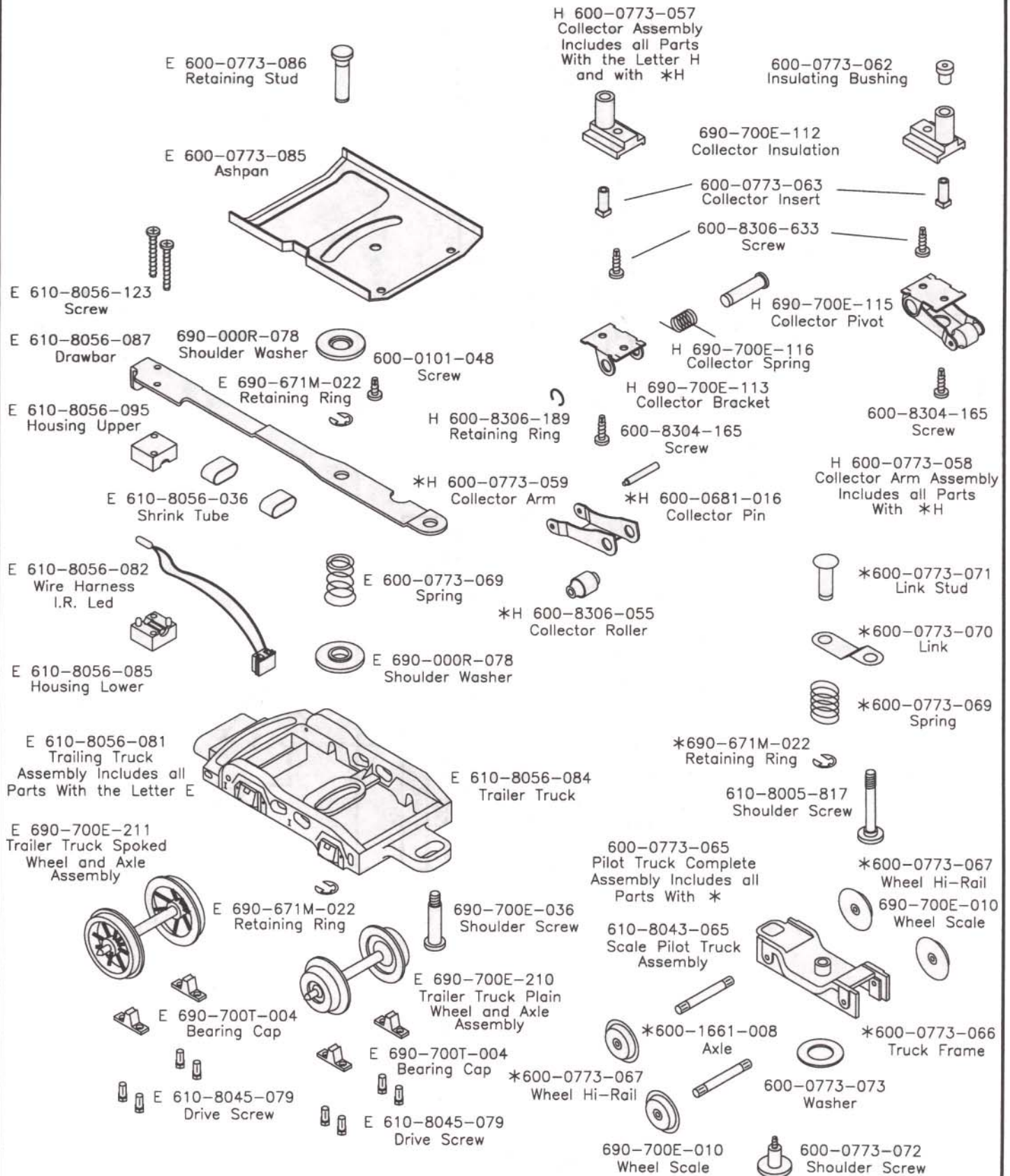


610-8062-001 704 A.T.S.F. WARHORSE HUDSON LOCOMOTIVE

(Page 6 of 8)

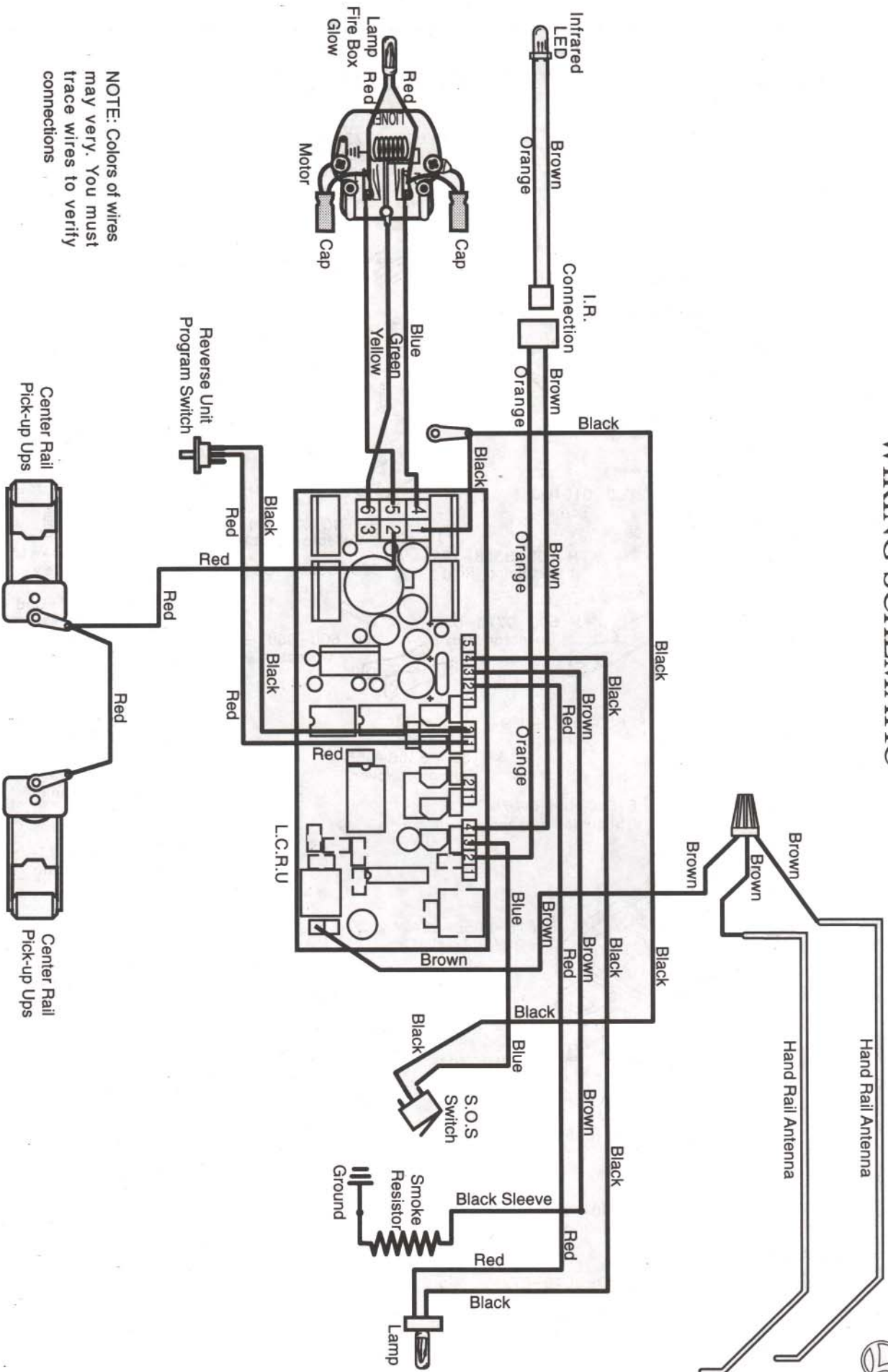


610-8056-001 763E N.Y.C. J1-E HUDSON LOCOMOTIVE
 610-8062-001 704 A.T.S.F. WARHORSE HUDSON LOCOMOTIVE



610-8056-001 763E-N.Y.C. JI-E HUDSON LOCOMOTIVE
 610-8062-001 704 A.T.S.F. WARHORSE HUDSON LOCOMOTIVE
WIRING SCHEMATIC

Page 8 of 8



NOTE: Colors of wires may vary. You must trace wires to verify connections