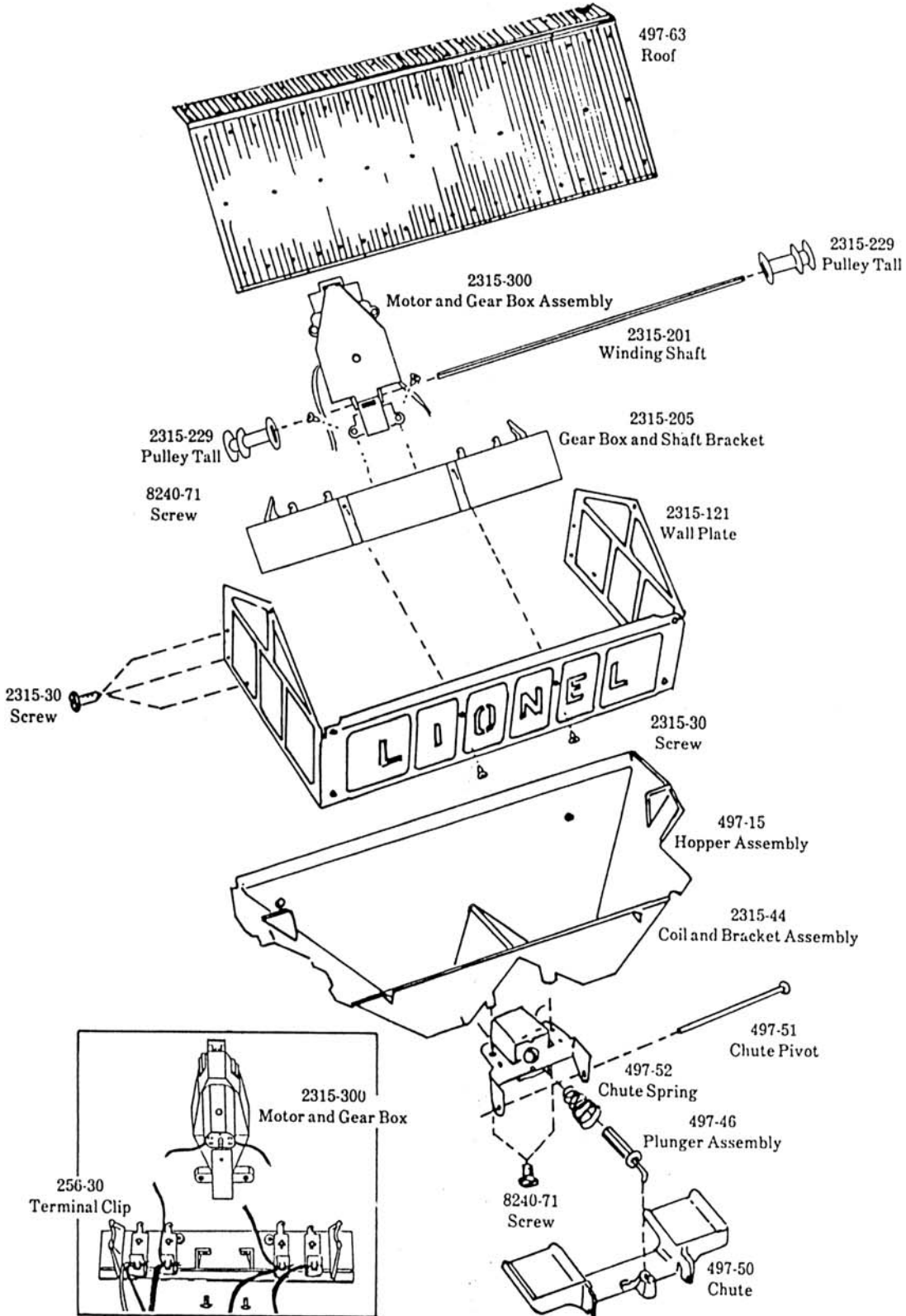
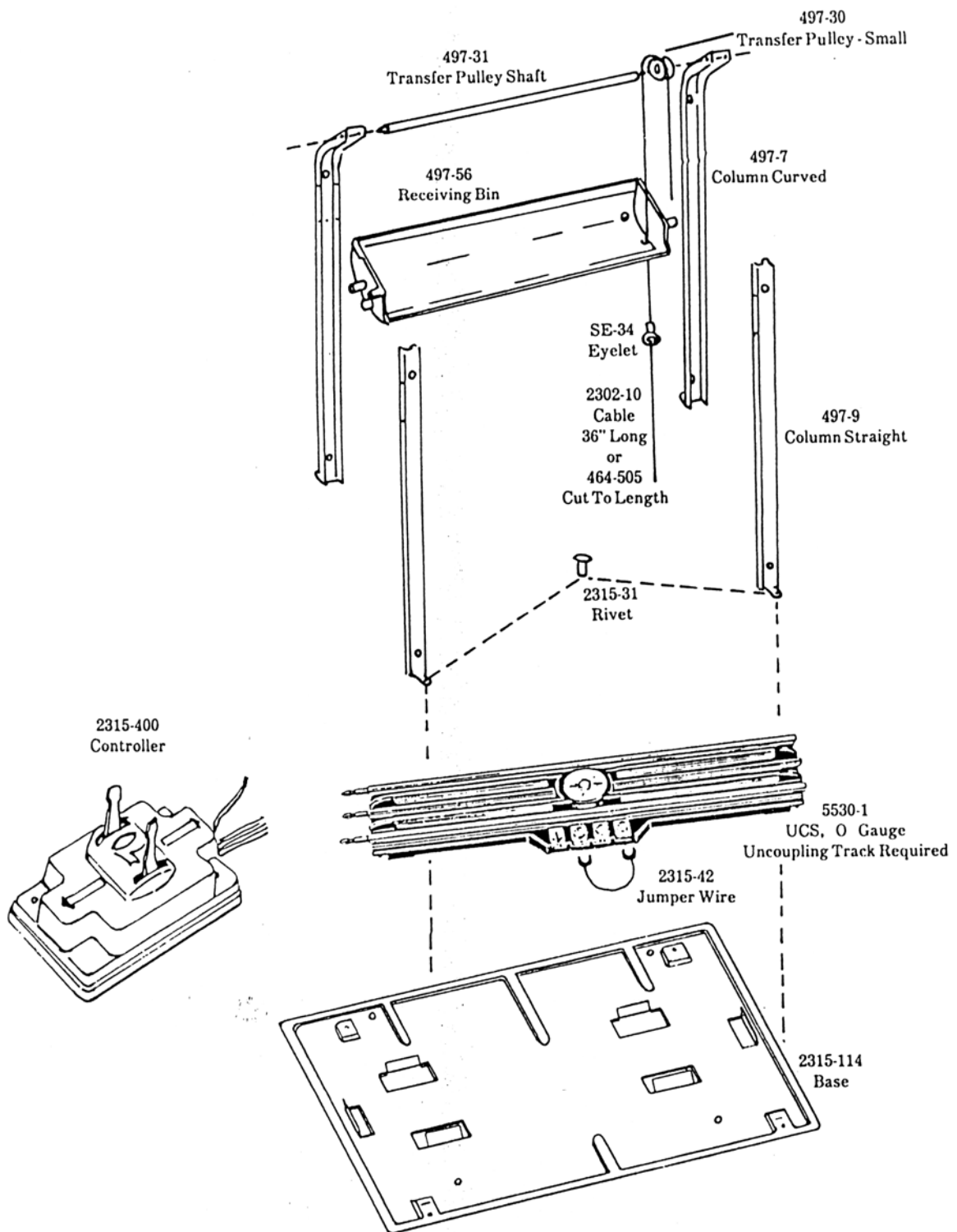


2315 COALING STATION





NOTE:

If unit does not function, switch lead from controller to opposite post on transformer. If you wish to use separate transformer to operate your Coaling Station, connect lead from Controller to one terminal of transformer. Connect other terminal of transformer to outside rail of track.

Instruction sheet shows wiring diagram for Lionel Trains Inc. produced cars and old Lionel twin bin car (Part No. 3359).

For operation with old Lionel type 3469 cars the following wiring diagram should be used:

- 1) Connect jumper wire to terminal No. 1 (far left) and terminal No. 4 (far right) on UCS track. Black wire remains connected to terminal No. 1.
- 2) Connect white lead wire to No. 2 terminal (2nd left).