

Transformer operations

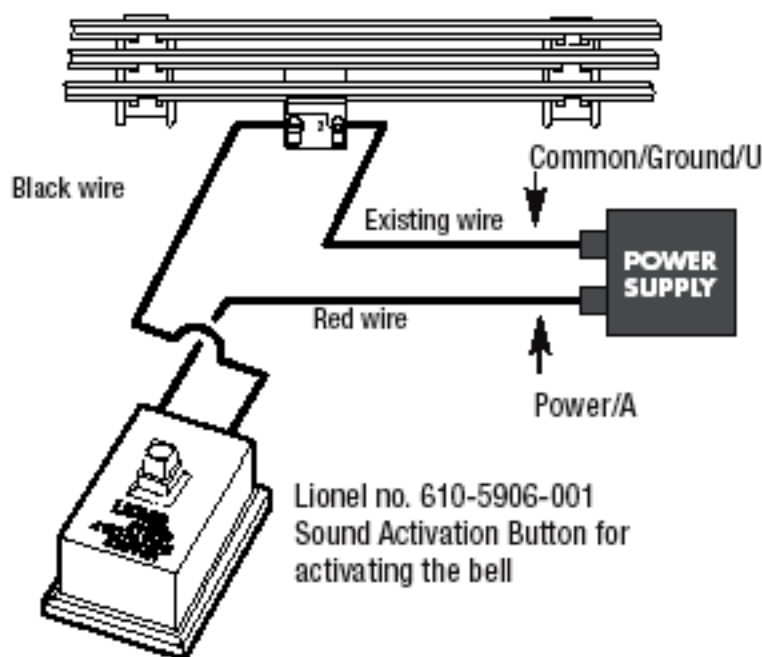
Installing a Lionel Sound Activation Button

To activate the bell and whistle sounds when operating your locomotive with conventional transformers, you may need to install Lionel no. 610-5906-001 Sound Activation Buttons (available separately) if your transformer is not equipped to activate

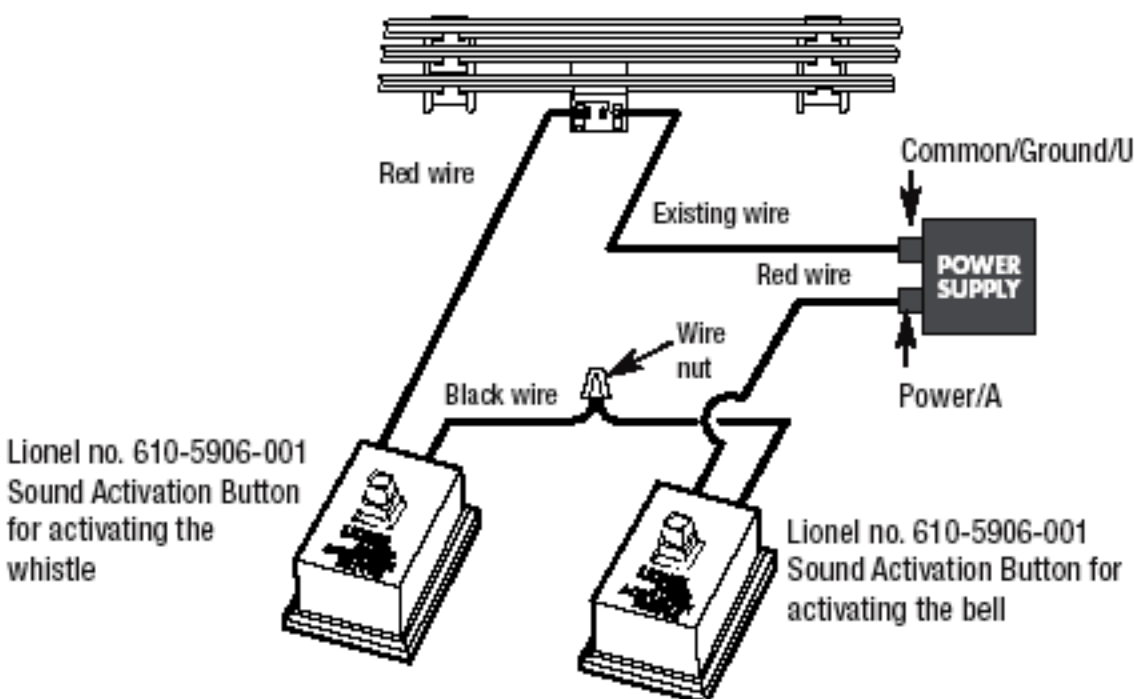
these features. Connect the button(s) as shown below.

Note! All track power must feed through the Sound Activation Buttons. Do not bypass the buttons.

For AC transformers lacking a bell button



For AC transformers lacking bell and horn/whistle buttons



Note! The no. 610-5906-001 button works with any Lionel AC transformer except no. 6-4690 Type MW. Transformers made by other manufacturers may not be compatible with the RailSounds sound system.